



*Instruction Manual*  
*Bedienungsanleitung*  
*Manuel d'utilisation*

操作手册  
使用说明书



## Introduction

Looking for a mini scaler that's dependable, detailed and confident on any terrain?

Introducing the Toyota LC80 Land Cruiser.

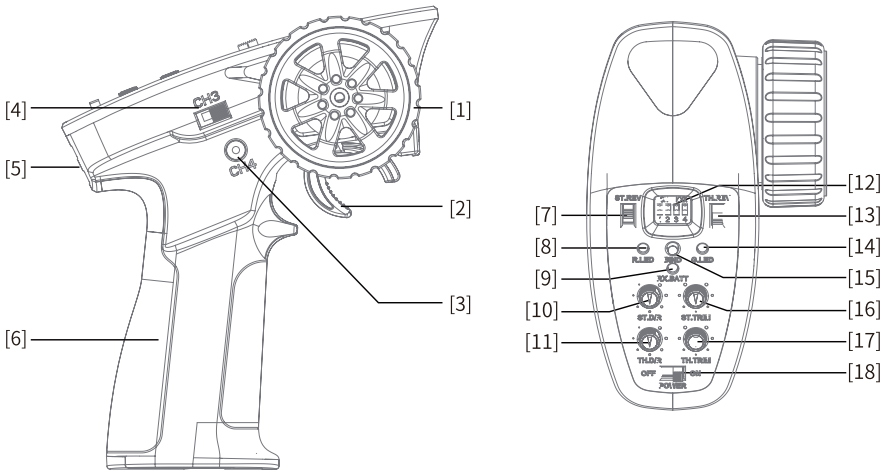
From the period-correct lights and functioning indicators to vents on the vehicle body, the Land Cruiser was designed to static-model standards. Even the interior is painstakingly recreated in 1:18 scale.

A feature-packed trail-proven chassis drives the Land Cruiser. Aluminum rails provide a rigid platform while a multilink geometry with panhard bar chassis design allows for maximum axle articulation. Power is delivered from the super high-torque gearbox to ultra grippy beadlock tires via nylon driveshafts.

Water-resistant 2S 7.4V electronics consists of an independent servo, 2-in-1 receiver/ESC, 050 motor and 7.4V 380mAh battery; Allowing for high power-to-weight ratio and all weather operations.

If you want the best looking, best performing 1:18 scaler on the market, look no further than the Land Cruiser LC80!

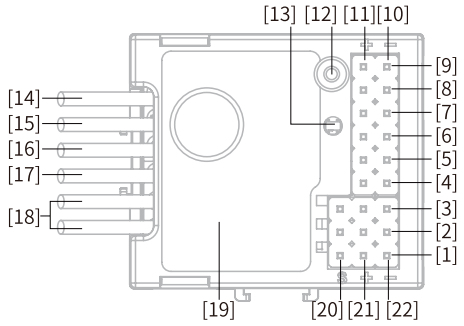
## Transmitter Overview



[1]	Traversing handwheel, 35 degrees on each side (CH1)	[10]	ST.D/R
[2]	Throttle button, 25 degrees in front and 12.5 degrees at rear (CH2)	[11]	TH.D/R
[3]	Push button switch (CH4) [Push button function is flip type]	[12]	Switch to the electric adjustment mode
[4]	Three-position toggle switch (CH3)	[13]	TH.REV
[5]	Lanyard hole	[14]	G.LED
[6]	Handle, 4*AAA battery compartment	[15]	BIND
[7]	ST.REV	[16]	ST.TRIM
[8]	R.LED	[17]	TH.TRIM
[9]	RX.BATT	[18]	Power Switch

Button	Light Position	Function	Times for Pressing					Control Mod	Remarks
			I	II	III	IV	V		
CH4	Headlight	Always on	OFF	•	OFF	OFF	OFF		
		Always Off	OFF	OFF	•	•	OFF		
		Reversing light	○	○	○	○	○	Throttle linkage control	
	Turn Signal	Left turn signal	OFF	○	○	OFF	○	Direction linkage control	The light is on when reversing
		Right turn signal	OFF	○	○	OFF	○	Direction linkage control	
		Emergency Flashers	OFF	OFF	OFF	•	OFF		

## Receiver Overview



[1]	CH1	[9]	Roof Light port	[17]	Motor line "M+"
[2]	CH3	[10]	Light port "-"	[18]	Power switch line
[3]	CH4	[11]	Light port "+"	[19]	Stickers
[4]	Left Light port	[12]	Antenna	[20]	Channel port "S"
[5]	Right Light port	[13]	LED	[21]	Channel port "+"
[6]	Head Light port	[14]	Battery line "-"	[22]	Channel port "-"
[7]	Tail Light port	[15]	Battery line "+"		
[8]	Ambient Light port	[16]	Motor line "M-"		

## Transmitter Battery Installation

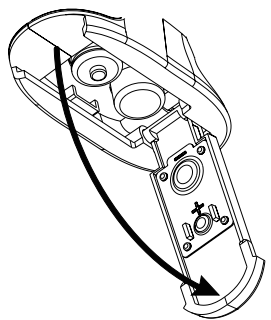
Battery Type:AAA

Battery Installation:

1. Open the battery compartment cover.
2. Insert 4 fully-charged AAA batteries into the compartment. Make sure that the battery makes good contact with the battery compartment's contacts.
3. Replace battery compartment cover.

Low battery alarm: When the battery is lower than 4.2v, the G.LED on the panel will flash slowly.

Note: When installing the batteries, be careful to handle the positive and negative poles. (As shown in the picture on the right)





## Warnings

- This vehicle is not intended for those under 14 years of age without proper adult supervision. It is not a toy! Failure to operate or maintain this vehicle in a safe manner can result in bodily harm.
- Replace damaged components with original factory-parts. Pay special attention to the polarity of all vehicle wiring.
- Only use approved 2 cell lithium polymer batteries. Do not over-charge or over dis-charge the battery as doing so may cause the battery to become a fire hazard. If the battery should become hot during charging, discontinue charging immediately and disconnect the battery from the charger. Never leave the battery unattended while charging. If you are unsure of how to charge this battery, please seek the advice of experienced RC users. Never let children charge the battery without adult supervision.
- The motor will become hot during use. Allow 10-15 minutes between runs for the vehicle to cool down. Doing so will prolong the life of your vehicle.
- Use common sense when selecting the environment to operate your vehicle. Do not operate near power cables, cellular/radio towers, deep water or unstable terrain. The operator is solely responsible for their actions.
- The product is composed of precision electrical components. It is critical to keep the product away from moisture and other contaminants. If exposed to a humid environment, make sure the electronics are fully dried prior to using them again.
- Always check the radio range of the vehicle prior to operation in order to prevent radio loss or interference.
- Operate this product within your ability. If the vehicle is dangerous to retrieve, it's never worth the risk.
- Always turn on the transmitter before connecting the battery on the model. When turning off the model, always disconnect the battery first, and then turn off the model, always disconnect the battery first, and then turn off the transmitter. If this order is reversed, the model may become uncontrollable and cause serious damage.
- Never allow transmitter batteries to run low as it may cause loss of vehicle control.
- Plastics on the vehicle are susceptible to damage or deformation due to extreme heat and cold climate. Do not store the model near any source of heat such as oven or heater. Store the model indoors, in a climate-controlled, room temperature environment.
- Never shorten the receiver antenna; this may affect the transmitting range of the radio system.
- Only use specified battery (X4 AA batteries).
- Do not open, disassemble, or attempt to repair the battery.
- Do not crush/puncture the battery, or short the external contacts.
- Do not expose to excessive heat or liquids.
- Do not drop the battery or expose to strong shocks or vibrations.
- Always store the battery in a cool, dry place.
- Do not use the battery if damaged.

## Power On

Follow the steps below to turn on the transmitter:

1. Check to make sure that that battery is fully charged and installed correctly.
2. Toggle the switch to the [ON] position. When active the R.LED will be lit.
3. Connect the receiver to power.
  - For safety always power on the transmitter before the receiver.



### Note

- Operate with caution in order to avoid damage or injury.
- Make sure that the throttle is at its lowest position and the switches are set to their up position.

## LED Indicator

1. R.LED: The red power indicator;
2. G.LED: The green status indicator;
3. Car battery: Two colors light for battery volume display (hereinafter referred to as D3)
  - When the power is high, the D3 green keeps on
  - When the power is medium, the D3 yellow keeps on
  - When the power is low, the D3 red keeps on
  - When the power is off, the D3 red slow flash
  - When the receiver drops the code, the tow-colors light is off

## Binding

The transmitter and receiver have already been bound at the factory.

However if the receiver needs to be replaced or additional receivers bound follow these steps:

1. Turn on the transmitter while holding the bind button to enter bind mode. G.LED will start flashing quickly.
  - Once in bind mode release the bind button.
2. The receiver will power on and wait for 1 second ,if without connection, it will enter the matching code automatically;
3. Once binding is successful the receiver' s LED will keep on.

Note: When binding, put the transmitter into bind mode first, then the receiver.

## Stick Calibration

This function is used to set the neutral position for throttle and wheel.

Every transmitter is calibrated before leaving the factory, however if recalibration is required, please follow these steps:

1. Turn and hold the wheel as far clockwise as it will turn, hold the throttle all the way forward, then turn on the transmitter in calibration mode.
  - The R.LED and G.LED will flash twice.
  - Car Battery the D3 yellow keeps on
2. Calibrate wheel: Turn the wheel completely clockwise, then completely counterclockwise.
  - When calibration is completed the R.LED will be off.
  - Car Battery the D3 red keeps on
3. Trigger calibration: Pull the trigger back then forward as far as it will go.
  - When calibration is completed the G.LED will be off.
  - Car Battery the D3 Green keeps on
- 4.Both Wheel and rigger are Calibration passed
  - the two-colors light is of
5. Once calibration is complete press the bind key to save and exit.

## Power Off

Follow the steps below to turn off the system:

1. Disconnect the receiver power.
2. Toggle the transmitter's power switch to the off position.



### Note

Make sure to disconnect the receiver power before turning off the transmitter. Failure to do so may lead to damage or serious injury.

## Channel Description

The transmitter outputs a total of 4 channels, which are allocated as follows:

- CH1: Steering Wheel
- CH2: Throttle Trigger
- CH3: Three-position Switch
- CH4: Key Switch

Note: By default the output of CH4 is 1000us, after which pressing the button will toggle between 1000 and 2000us.

## Channel Reverse

This function is used to adjust the action direction of the servo or motor

The ST.REV / TH.REV switches are the reverse buttons for CH1 and CH2. If the switch is up it indicates reverse, and the down indicates normal.

## Trims

The ST.TRIM is the trims for CH1 (steering), and can be multiplexed as Trims of CH3 ;

The TH.TRIM is the trims for CH2 (throttle), and can be multiplexed as Trims of CH4 ;

For multiplexing switching mode, see [5.5 Mode Switching].

Adjustment range: -120us- + 120us;

ST.TRIM/TH.TRIM: counterclockwise adjustment to increase the trim value. The maximum value is 120 us.

ST.TRIM- / TH.TRIM-: clockwise adjustment to decrease the trim value. The minimum value is -120 us.

## D/R

The ST.D/R is the trims for CH1 (steering), and can be multiplexed as Trims of CH3 ;

The TH.D/R is the trims for CH2 (throttle), and can be multiplexed as Trims of CH4 ;

For multiplexing switching mode, see [5.5 Mode Switching].

Adjustment range: 0-120%;

ST.D/R: counterclockwise adjustment to increase the servo amount . The maximum value is 120%.

TH.D/R: clockwise adjustment to decrease the servo amount . The minimum value is 0%.

TH.D/R: counterclockwise adjustment to increase the servo amount. The maximum value is 120%.

TH.D/R: clockwise adjustment to decrease the servo amount. The minimum value is 0%.

## Mode switching

This function is for reusing the ST.TRIM and ST.D / R buttons for different channels

Function setting:

Under normal power-on condition, press the BIND button twice (within 1S) to switch between mode 1 and mode 2.

By default, mode 1 is used.

Mode 1: R.LED is always on. G.LED is off. ST.TRIM is for CH1 trim. ST.D/R is for CH1 servo adjustment . TH.TRIM is for CH2 throttle trim. TH.D/R is for CH2 throttle servo adjustment .

Mode 2: R.LED and G.LED are flashing alternately. ST.TRIM is for CH3 trim. ST.D/R is for CH3 servo adjustment .

TH.TRIM is for CH4 trim. TH.D/R is for CH4 servo adjustment .

## Failsafe

This function dictates what the receiver will do in the event that it loses signal from the transmitter, this includes servo position etc.

Setup:

When the transmitter is switched on in normal communication state, keep the channel to be set at the position of the failsafe setup, and press and hold the BIND button for 3S. The G.LED flashes for 2S, indicating that the setting is successful. That is, when the receiver cannot receive the signal, it will output the set failsafe value.

Note: The fail-safe function has no default set at the factory and as such must be set manually. If no failsafe setting has been set, then the receiver will not output anything when signal is lost.

## Beginner Mode

Beginner mode is designed for people new to the hobby.









In this mode the throttle will be limited to 50 percent, The channel range defaults to 1250~1500~1750 us.

Setup:

To switch between beginner and normal modes press and hold the channel 4 button as the transmitter is turned on.

Note: By default, the system is set to normal mode. The GLED will flash slowly for 3 seconds during power on if the system is set to beginner mode.

## ESC Parameter Setting

Running Mode	Battery Type	Drag Brake	
 FWD/REV/BRK	 Lipo	 0%	 75%
 FWD/REV	 NiMH	 50%	 100%

Dial Switch sign

The Dial Switch on the transmitter is used to set ESC parameters, that is, the Dial Switch is located at different positions and the corresponding parameter values are different.

Setting Method:

There are three parameters can be set for the ESC, which are "Running mode", "Battery type", "Drag brake", There are slide switches numbered 1 2 3 4 on the radio panel . The above parameters can be set by dialing down and up.

The specific operation is as follows:

When No. 1 slide switch is on the down, it indicates that the operation mode is set to FWD / REV / BRK.

When No. 1 slide switch is on the up, it indicates that the operation mode is set to FWD/REV.

When No. 2 slide switch is on the down, it indicates that the battery type is set to Lipo.

When No. 2 slide switch is on the up, it indicates that the battery type is set to NiMH.

When No. 3 and No.4 slide switch are on the down, it indicates that the drag brake force is set to 0%.

When No. 3 slide switch is on the down and No.4 slide switch is on the up, it indicates that the drag brake force is set to 50%.

When No. 3 slide switch is on the up and No.4 slide switch is on the down, it indicates that the drag brake force is set to 75%.

When No. 3 and No.4 slide switch are on the up, it indicates that the drag brake force is set to 100%

Parameter Explanation:

### 1. Running Mode

FWD/REV/BRK: This mode adopts "double click" reverse mode, that is, when the throttle trigger is pushed from natural range to the reverse area for the first time, the motor is only braking and will not reverse; when the throttle trigger is moved back to the natural range and pushed to the reverse area for the second time, it will reverse. This mode is applicable to general models.

FWD/REV: This mode adopts "one click" reverse mode, that is, when the throttle trigger is pushed from natural range to the reverse area, the motor immediately generates reverse action, which is generally applied to rock crawler.

Parameter setting method:

When No. 1 slide switch is on the down, it indicates that the operation mode is set to FWD / REV / BRK.

When No. 1 slide switch is on the up, it indicates that the operation mode is set to FWD/REV.

### 2. Battery Type

There are LiPo and NiMH cells. The low-pressure protection value is different under different types. It can be set according to the actual use.

Parameter setting method:

When No. 2 slide switch is on the down, it indicates that the battery type is set to Lipo.

When No. 2 slide switch is on the up, it indicates that the battery type is set to NiMH.

### 3. Drag Brake Force

The drag brake means that when the throttle trigger moves from the forward or reverse area to natural range, it will produce certain braking force to the motor, the larger the value is, the greater the drag brake force is. Select proper braking force according to the actual situation.

Parameter setting method:

When No. 3 and No.4 slide switch are on the down, it indicates that the drag brake force is set to 0%.

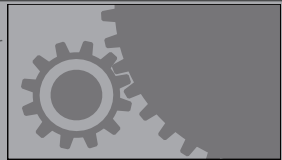
When No. 3 slide switch is on the down and No.4 slide switch is on the up, it indicates that the drag brake force is set to 50%.

When No. 3 slide switch is on the up and No.4 slide switch is on the down, it indicates that the drag brake force is set to 75%.

When No. 3 and No.4 slide switch are on the up, it indicates that the drag brake force is set to 100%.

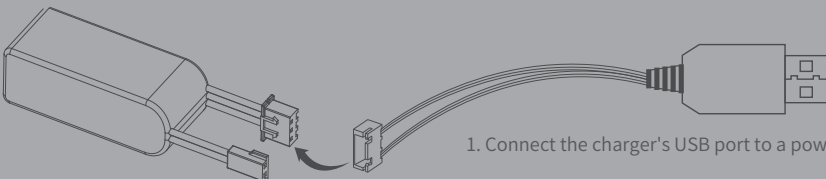
## Setting the Gear Mesh

The gear mesh is the clearance between the pinion and spur gears in your vehicle. If the motor or gearing components are replaced, check that the gears are not meshing too tightly as this may cause premature wear.



## Charging the Battery

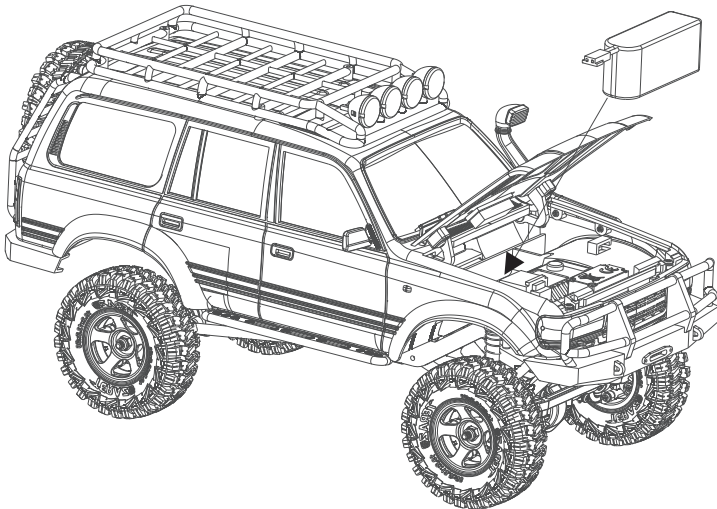
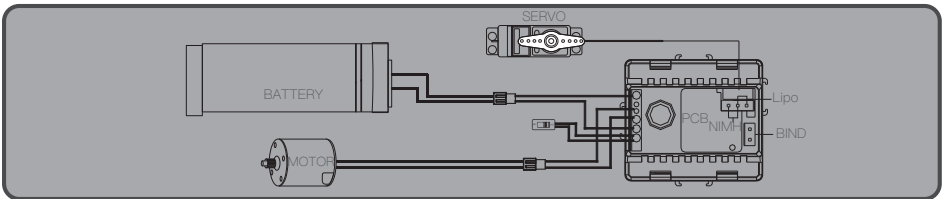
1. Connect the charger to a USB port then connect the battery to the charger.
2. When charging, the Green LED is flash, when charged, the Green LED is stable.
3. Do not let the battery charge unattended!
4. If the battery or charger is hot, disconnect the battery and charger immediately as this may be caused by an internal short-circuit.



2. Connect the battery to the charger.

1. Connect the charger's USB port to a power source.

- Always charge LiPo batteries on non-flammable, heat-resistant surfaces.
- Always use a LiPo-safe bag or container while charging. Do not allow LiPo cells to overheat at any time. Cells which reach greater than 140 Fahrenheit(60°C) will usually become damaged and will catch fire.
- Do not charge the LiPo pack while it is still in the model. Never charge or store battery packs in a vehicle.
- Do not discharge LiPo; doing so will damage the battery.
- Do not expose LiPo cell to water or moisture at any time.
- Do not store battery near open flame or heater.
- Do not assemble LiPo cells or pre-assembled packs together with other LiPo cells or packs.
- Always store LiPo battery in a secure location away from children.
- Always remove the LiPo battery if model is involved in any kind of crash.
- Carefully inspect the battery and connectors for even the smallest damage.
- CAUTION: Cells may become hot after usage. Allow the pack to cool to room temperature prior to recharging.
- Do not allow the electrolyte to get into eyes or on skin. Wash affected areas immediately if they if they come into contact with electrolyte. Do not alter or modify connectors or wires of a LiPo battery pack.
- Always inspect the condition of the battery before charging and operating.
- Do not short circuit the LiPo battery.
- Do not have contact with a leaky/damaged battery directly.
- Do not charge battery out of recommended temperature range(0°C 45°C).



- NOTE**
- 1.If it is not in use for a long time, unplug and take off the battery to prevent battery leakage.
  - 2.Do not open, disassemble, or attempt to repair the battery.
  - 3.Please disconnect the battery from the receiver before charging.

## Spare parts list

C2049	1:18 050 Motor set	C2042	LAND CRUISER LC80 Bumper And Side Panel
C2021	1:18 1kg Servo	C2043	LAND CRUISER LC80 Lens
C2051	1:18 USB 2S LIPO Charger cable	C2054	LAND CRUISER LC80 Body SHELL
C2052	LIPO Battery 2S 380mAh	C2045	Teraz Tire 19.2 x 13.5 x 56
C2053	LAND CRUISER LC80 Hood	C2046	LAND CRUISER LC80 Wheels Set
C2036	LAND CRUISER LC80 Front and Rear Light Cup Set	C2056	LAND CRUISER LC80 Metal Gear
C2037	LAND CRUISER LC80 Hood Mount Set	C2057	LAND CRUISER LC80 Gear set
C2038	LAND CRUISER LC80 Rooftop Rack	C2058	LAND CRUISER LC80 Transmission Shaft full set
C2039	LAND CRUISER LC80 Ladder And Spare Tire Bracket	C2059	LAND CRUISER LC80 SCREW SET
C2040	LAND CRUISER LC80 Spotlight Cup Set	C2060	1:18 M2&M2.5 SCREW NET
C2041	LAND CRUISER LC80 Rearview Mirror And Wiper	C2061	LAND CRUISER LC80 Window

## CE Warning

The antenna(s) used for this transmitter must be installed to provide a separation distance of at least 20 cm from all persons and must not be co-located or operating in conjunction with any other transmitter. End-users and installers must be provided with antenna installation instructions and transmitter operating conditions for satisfying RF exposure compliance.

## Appendix 1 FCC Statement

FCC ID: N4ZMG400

This equipment has been tested and found to comply with the limits for a Class B digital device pursuant to part 15 of the FCC rules. These limits are designed to provide reasonable protection against harmful interference in a residential installation. This equipment generates, uses and can radiate radio frequency energy and, if not installed and used in accordance with the instructions, may cause harmful interference to radio communications. However, there is no guarantee that interference will not occur in a particular installation. If this equipment does cause harmful interference to radio or television reception, which can be determined by turning the equipment off and on, the user is encouraged to try to correct the interference by one or more of the following measures:

- Reorient or relocate the receiving antenna.
- Increase the separation between the equipment and receiver.
- Connect the equipment into an outlet on a circuit different from that to which the receiver is connected.
- Consult the dealer or an experienced radio/TV technician for help.

To assure continued compliance, any changes or modifications not expressly approved by the party responsible for compliance could void the user's authority to operate this equipment.

This equipment complies with Part 15 of the FCC Rules. Operation is subject to the following two conditions:

- (1) This device may not cause harmful interference.
- (2) This device must accept any interference received, including interference that may cause undesired operation.

### Caution!

The manufacturer is not responsible for any radio or TV interference caused by unauthorized modifications to this equipment. Such modifications could void the user authority to operate the equipment.

1. The antenna(s) used for this transmitter must be installed to provide a separation distance of at least 20 cm from all persons and must not be co-located or operating in conjunction with any other transmitter. End-users and installers must be provided with antenna installation instructions and transmitter operating conditions for satisfying RF exposure compliance.
2. Move all your channels to the desired position.
3. Select [All channels] and then [Yes] in the confirmation box.

## Declaration of Conformity (DoC)

We,  
Dongguan Solid Model Technology Co.,Ltd  
3/F, Building B, 3rd Industry Zone,  
Matigang, Dalingshan Town  
Dongguan City of China 523810.

Phone:0769-86976655  
Web:www.fmsmodel.com

declare under our responsibility that the product:

Type of Equipment: Driving System & 2.4GHz Control System

Brand Name: FMS

Compatible for cars: 1:18 Land Cruiser 80

Equipment Model: 11802 ROC004RTR



to which this declaration relates is in conformity with the essential requirements and other relevant requirements of the Directive 2014/53/EU, EMC Directive 2014/30/EU, EMC Directive 2014/53/EU, FCC Identifier N4ZMG400 , EU RoHS Directive 2011/65/EU and Council Directive 2014/30/EU. The product is in conformity with following standards and/or other normative documents:

EN 301 489-1 V2.2.3  
EN 301 489-17 V3.2.4  
EN 300 328 V2.2.2  
EN 62479:2010  
EN 62368-1:2014+A11:2017  
IEC 62321-2:2013, IEC 62321-1:2013, IEC 62321-3-1:2013,  
IEC 62321-5:2013, IEC 62321-4:2013, IEC 62321-7-2:2017,  
IEC 62321-7-1:2015, IEC 62321-6:2015  
ETSI EN 301 489-1 V2.1.1  
ETSI EN 301 489-17 V3.1.1  
EN 55032:2015  
EN 610003-2: 2014, EN 61000-3-3: 2013  
EN 55035:2017

### DISTRIBUTOR

North America:

#### **Amain Distributing**

424 Otterson Drive

Chico, CA 95928

<https://www.amaindistributing.com/>

530-894-9082

Sweden:

#### **Minicars Hobby Distribution AB**

Annelundsgatan 17C

749 40 Enköping, Sweden

Tel.: +46-171-14 30 02

The United Kingdom:

#### **CML Distribution Ltd**

Saxon House, Saxon Business Park, Hanbury Road

Bromsgrove, Worcestershire

B60 4AD, England

Tel.: +44 (0)1527 575349

Australia:

#### **Model Engines Pty Ltd**

Unit 1/32 Bluett Drive

Smeaton Grange

NSW 2567 Australia

Tel.: +61(0)411128284



## Einleitung

Sie suchen einen Mini-Scaler, der zuverlässig, detailliert und souverän auf jedem Terrain ist?

Wir stellen Ihnen den Toyota LC80 Land Cruiser vor.

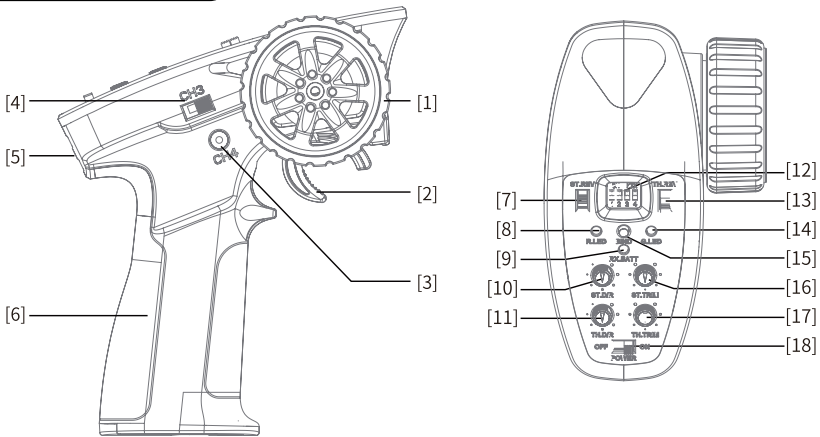
Von den originalgetreuen Scheinwerfern und funktionierenden Blinkern bis hin zu den Lüftungsöffnungen an der Karosserie wurde der Land Cruiser nach den Standards eines statischen Modells entworfen. Sogar der Innenraum wurde sorgfältig im Maßstab 1:18 nachgebildet.

Der Land Cruiser wird von einem bewährten Fahrgestell angetrieben, das mit vielen Funktionen ausgestattet ist. Aluminiumschienen bieten eine steife Plattform, während eine Mehrlenkergeometrie mit Panhardbar-Chassisdesign eine maximale Achsversträngung ermöglicht. Die Kraft wird über die Nylon-Antriebswellen vom drehmomentstarken Getriebe auf die extrem griffigen Beadlock-Reifen übertragen.

Die wasserfeste 2S 7,4V-Elektronik besteht aus einem unabhängigen Servo, 2-in-1-Empfänger/ESC, 050-Motor und 7,4V 380mAh-Akku; Dies ermöglicht ein hohes Leistungsgewicht und Allwetterbetrieb.

Wenn Sie den am besten aussehenden und leistungsstärksten 1:18 Scaler auf dem Markt wollen, suchen Sie nicht weiter - hier ist der Land Cruiser LC80!

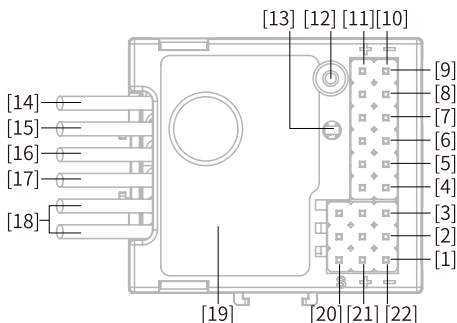
## Sender-Übersicht



[1]	Verstellbares Lenkrad, 35 Grad auf jeder Seite (CH1)	[10]	ST.D/R
[2]	Gashebel, 25 Grad vorne und 12,5 Grad nach hinten (CH2)	[11]	TH.D/R
[3]	Schalter (CH4) [Drucktastenfunktion ist kippbar].	[12]	Umschalten in den elektrischen Einstellmodus
[4]	Drei-Positionen-Kippschalter (CH3)	[13]	TH.REV
[5]	Loch für Tragegurt	[14]	G.LED
[6]	Handgriff, 4*AAA-Batteriefach	[15]	BIND
[7]	ST.REV	[16]	ST.TRIM
[8]	R.LED	[17]	TH.TRIM
[9]	RX.BATT	[18]	Power Switch

Button	Licht Position	Funktion	Times for Pressing					Kontrolle Modus	Hinweise
			I	II	III	IV	V		
CH4	Scheinwerfer	Immer an	AUS	•	AUS	AUS	AUS		
		Immer aus	AUS	AUS	•	•	AUS		
	Rückfahrlicht	○	○	○	○	○	Steuerung des Gashebels		
	Blinker	Blinker links	AUS	○	○	AUS	○	Richtungssteuerung des Gestänges	Die Leuchte leuchtet beim Rückwärtsfahren
		Blinker links	AUS	○	○	AUS	○	Richtungssteuerung des Gestänges	
	Notfall-Blinker	AUS	AUS	AUS	•	AUS			

## Empfänger-Übersicht



[1]	CH1	[9]	Dachscheinwerfer	[17]	Motorleitung "+"
[2]	CH3	[10]	Lichtanschluss "-"	[18]	Stromschalterleitung
[3]	CH4	[11]	Lichtanschluss "+"	[19]	Aufkleber
[4]	Linker Blinker	[12]	Antenne	[20]	Kanalanschluss "S"
[5]	Rechter Blinker	[13]	LED	[21]	Kanalanschluss "+"
[6]	Frontscheinwerfer	[14]	Akkuleitung "-"	[22]	Kanalanschluss "-"
[7]	Rücklicht	[15]	Akkuleitung "+"		
[8]	Umgebungslicht	[16]	Motorleitung "-"		

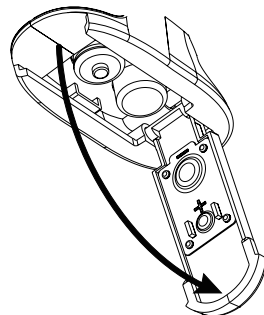
## Einsetzen der Senderbatterien

Batterietyp: AAA

Einsetzen der Batterien:

- Öffnen Sie die Abdeckung des Batteriefachs.
- Legen Sie 4 voll aufgeladene AAA-Batterien in das Fach ein. Achten Sie darauf, dass die Batterie gut mit den Kontakten des Batteriefachs in Kontakt kommt.
- Bringen Sie die Abdeckung des Batteriefachs wieder an. Alarm bei niedrigem Batteriestand: Wenn die Batterie weniger als 4,2 V hat, blinkt die G.LED auf dem auf dem Bedienfeld langsam blinken.

Hinweis: Achten Sie beim Einsetzen der Batterien auf die positiven und negativen Pole. (Wie auf dem Bild rechts dargestellt)



## Warnhinweise

- Dieses Fahrzeug ist nicht für Personen unter 14 Jahren ohne angemessene Aufsicht von Erwachsenen bestimmt. Wenn Sie dieses Fahrzeug nicht in einer sicheren Weise betreiben oder warten, kann dies zu körperlichen Schäden führen.
- Ersetzen Sie beschädigte Teile durch Original-Ersatzteile. Achten Sie besonders auf die Polarität der gesamten Fahrzeugverkabelung.
- Verwenden Sie nur zugelassene 2-Zellen-Lithium-Polymer-Akkus. Laden Sie die Akkus nicht zu stark auf oder entladen Sie sie nicht zu stark, da dies zu einer Brandgefahr führen kann. Sollte die Batterie während des Ladevorgangs heiß werden, unterbrechen Sie sofort den Ladevorgang und trennen Sie die Batterie vom Ladegerät. Lassen Sie den Akku während des Ladevorgangs niemals unbeaufsichtigt. Wenn Sie sich nicht sicher sind, wie Sie den Akku aufladen sollen, wenden Sie sich bitte an einen erfahrenen RC-Benutzer. Lassen Sie Kinder den Akku niemals ohne Aufsicht von Erwachsenen aufladen.
- Der Motor wird während des Betriebs heiß. Lassen Sie das Fahrzeug zwischen den Fahrten 10-15 Minuten abkühlen. Dadurch wird die Lebensdauer Ihres Fahrzeugs verlängert.
- Benutzen Sie Ihren gesunden Menschenverstand, wenn Sie die Umgebung für den Betrieb Ihres Fahrzeugs auswählen. Fahren Sie nicht in der Nähe von Stromkabeln, Mobilfunk-/Funktürmen, tiefem Wasser oder instabilem Gelände. Der Bediener trägt die alleinige Verantwortung für seine Handlungen.
- Das Produkt besteht aus elektrischen Präzisionsbauteilen. Es ist wichtig, das Produkt von Feuchtigkeit und anderen Verunreinigungen fernzuhalten. Wenn es einer feuchten Umgebung ausgesetzt war, stellen Sie sicher, dass die Elektronik vollständig getrocknet ist, bevor Sie sie wieder benutzen.
- Prüfen Sie vor dem Betrieb immer die Funkreichweite des Fahrzeugs, um Funkverluste oder Störungen zu vermeiden.
- Betreiben Sie dieses Produkt im Rahmen Ihrer Möglichkeiten. Wenn es gefährlich ist, das Fahrzeug zu bergen, ist es das Risiko nicht wert.
- Schalten Sie immer den Sender ein, bevor Sie den Akku des Modells anschließen. Trennen Sie beim Ausschalten des Modells immer zuerst den Akku ab und schalten Sie dann das Modell aus, trennen Sie immer zuerst den Akku ab und schalten Sie dann den Sender aus. Wenn Sie diese Reihenfolge umkehren, kann das Modell unkontrollierbar werden und schwere Schäden verursachen.
- Lassen Sie niemals zu, dass die Senderbatterien leer werden, da dies zum Verlust der Fahrzeugkontrolle führen kann.
- Die Kunststoffe des Fahrzeugs können durch extreme Hitze und Kälte beschädigt oder verformt werden. Lagern Sie das Modell nicht in der Nähe einer Wärmequelle wie einem Ofen oder einer Heizung. Lagern Sie das Modell in einem klimatisierten Raum bei Raumtemperatur.
- Kürzen Sie niemals die Empfängerantenne; dies kann die Reichweite des Funksystems beeinträchtigen.
- Verwenden Sie nur die angegebenen Batterien (4x AAA-Batterien).
- Öffnen Sie die Akkus nicht, nehmen Sie sie nicht auseinander und versuchen Sie nicht, sie zu reparieren.
- Die Akkus nicht zerdrücken/einstecken oder die externen Kontakte kurzschließen.
- Setzen Sie den Akku nicht übermäßiger Hitze oder Flüssigkeiten aus.
- Lassen Sie den Akku nicht fallen und setzen Sie ihn keinen starken Stößen oder Vibrationen aus.
- Bewahren Sie den Akku immer an einem kühlen, trockenen Ort auf.
- Verwenden Sie den Akku nicht, wenn er beschädigt ist.

## Einschalten

Gehen Sie wie folgt vor, um den Sender einzuschalten:

1. Vergewissern Sie sich, dass die Batterie vollständig geladen und richtig eingesetzt ist.
  2. Schalten Sie den Schalter auf die Position [ON]. Wenn der Sender eingeschaltet ist, leuchtet die R.LED.
  3. Schließen Sie den Empfänger an das Stromnetz an.
- Schalten Sie aus Sicherheitsgründen immer zuerst den Sender und dann den Empfänger ein.



### Hinweis

- Gehen Sie bei der Bedienung vorsichtig vor, um Schäden oder Verletzungen zu vermeiden.
- Vergewissern Sie sich, dass sich der Gashebel in der niedrigsten Position befindet und die Schalter in ihrer oberen Stellung stehen.

## LED Indikatoren

1. R.LED: Die rote Betriebsanzeige;
2. G.LED: Die grüne Statusanzeige;
3. Autobatterie: Zweifarbiges Licht für die Anzeige des Batterievolumens (im Folgenden als D3 bezeichnet)
  - Wenn die Leistung hoch ist, leuchtet die D3 grün
  - Bei mittlerer Leistung leuchtet die D3 gelb
  - Wenn die Leistung niedrig ist, leuchtet D3 rot
  - Wenn der Strom aus ist, blinkt D3 rot langsam
  - Wenn der Empfänger den Code verwirft, leuchtet die Schleppfahne nicht

## Binden

Der Sender und der Empfänger wurden bereits im Werk gebunden.

Wenn jedoch der Empfänger ersetzt oder weitere Empfänger gebunden werden müssen, gehen Sie wie folgt vor:

1. Schalten Sie den Sender ein und halten Sie die Binde-Taste gedrückt, um in den Binde-Modus zu gelangen. Die G.LED beginnt schnell zu blinken.
  - Sobald Sie im Bindemodus sind, lassen Sie den Bindebutton los.
2. Der Empfänger schaltet sich ein und wartet 1 Sekunde, wenn keine Verbindung besteht, gibt er automatisch den passenden Code ein.
  - automatisch ein;
3. Sobald das Binden erfolgreich war, leuchtet die LED des Empfängers weiter.

Hinweis: Schalten Sie beim Binden zuerst den Sender in den Bindemodus, dann den Empfänger.

## Kalibrierung des Sticks

Diese Funktion wird verwendet, um die Neutralstellung für Gas und Rad einzustellen.

Jeder Sender wird vor dem Verlassen des Werks kalibriert. Wenn jedoch eine Neukalibrierung erforderlich ist, befolgen Sie bitte die folgenden Schritte:

1. Drehen und halten Sie das Rad so weit wie möglich im Uhrzeigersinn, halten Sie den Gashebel ganz nach vorne und schalten Sie den Sender im Kalibrierungsmodus ein.
  - Die R.LED und die G.LED werden zweimal blinken.
  - Autobatterie die D3 gelb bleibt an
2. Kalibrieren Sie das Rad: Drehen Sie das Rad ganz im Uhrzeigersinn und dann ganz gegen den Uhrzeigersinn.
  - Wenn die Kalibrierung abgeschlossen ist, ist die R.LED aus.
  - Autobatterie die D3 rot leuchtet weiter
3. Abzugskalibrierung: Ziehen Sie den Abzug so weit wie möglich zurück und dann nach vorne.
  - Wenn die Kalibrierung abgeschlossen ist, leuchtet die G.LED nicht mehr.
  - Autobatterie der D3 leuchtet grün
4. sowohl Rad als auch Auslöser sind kalibriert
  - das zweifarbiges Licht ist aus
5. Sobald die Kalibrierung abgeschlossen ist, drücken Sie die Bindungstaste zum Speichern und Beenden.

## Ausschalten

Führen Sie die folgenden Schritte aus, um das System auszuschalten:

1. Trennen Sie den Empfänger von der Stromversorgung.
2. Schalten Sie den Netzschalter des Senders auf die Position "Aus".



### Hinweis

Stellen Sie sicher, dass Sie den Empfänger von der Stromversorgung trennen bevor Sie den Sender ausschalten. Bei Nichtbeachtung Nichtbeachtung kann zu Schäden oder schweren Verletzungen führen.

## Beschreibung der Kanäle

Der Sender gibt insgesamt 4 Kanäle aus, die wie folgt aufgeteilt sind:

- CH1: Lenkrad
- CH2: Gashebelauslöser
- CH3: Dreistellungsschalter
- CH4: Schlüsselschalter

Hinweis: Standardmäßig ist der Ausgang von CH4 auf 1000us eingestellt. Durch Drücken der Taste wird zwischen 1000 und 2000us umgeschaltet.

## Kanal Rückwärts

Mit dieser Funktion kann die Wirkungsrichtung des Servos oder Motors eingestellt werden.

Die Schalter ST.REV / TH.REV sind die Umkehrtasten für CH1 und CH2. Wenn der Schalter nach oben zeigt, bedeutet dies Rückwärtsgang, und der untere Schalter bedeutet normal.

## Trimmen

ST.TRIM ist die Trimmung für CH1 (Lenkung), und kann als Trimmung für CH3 gemultiplext werden.

Die TH.TRIM ist die Trimmung für CH2 (Gas) und kann als Trimmung für CH4 gemultiplext werden.

Für den Multiplexing-Schaltmodus siehe [5.5 Modusumschaltung].

Einstellbereich: -120us- + 120us

ST.TRIM/TH.TRIM: Einstellung gegen den Uhrzeigersinn, um den Trimmwert zu erhöhen. Der Maximalwert beträgt 120 us

ST.TRIM- / TH.TRIM-: Verstellung im Uhrzeigersinn, um den Trimmwert zu verringern. Der Mindestwert ist -120 us

## D/R

Der ST.D/R ist die Trimmung für CH1 (Lenkung) und kann als Trimmung von CH3 gemultiplext werden;

Der ST.D/R ist die Trimmung für CH2 (Drosselklappe) und kann als Trimmung für CH4 gemultiplext werden;

Für den Multiplexing-Umschaltmodus siehe [5.5 Modusumschaltung].

Einstellbereich: 0-120%;

ST.D/R: Einstellung gegen den Uhrzeigersinn, um den Serienwert zu erhöhen. Der Höchstwert ist 120%.

ST.D/R: Verstellung im Uhrzeigersinn, um den Wert der Serie zu verringern. Der Mindestwert ist 0%.

TH.D/R: Einstellung gegen den Uhrzeigersinn, um den Servowert zu erhöhen. Der Höchstwert ist 120%.

TH.D/R: Einstellung im Uhrzeigersinn zur Verringerung der Servostärke. Der Mindestwert ist 0%.

## Mode umschalten

Mit dieser Funktion können die Tasten ST.TRIM und ST.D / R für verschiedene Kanäle verwendet werden.

Funktionseinstellung:

Unter normalen Einschaltbedingungen drücken Sie die BIND-Taste zweimal (innerhalb von 1 s), um zwischen Modus 1 und Modus 2 zu wechseln.

Standardmäßig wird Modus 1 verwendet.

Modus 1: R.LED ist immer an. G.LED ist aus. ST.TRIM ist für die Trimmung von CH1. ST.D/R ist für die Einstellung des CH1-Servos. TH.TRIM ist für die Gas-Trimmung von CH2. TH.D/R ist für die Einstellung des CH2-Gasservos.

Modus 2: R.LED und G.LED blinken abwechselnd. ST.TRIM ist für die CH3-Trimmung. ST.D/R ist für die Einstellung des CH3-Servos TH.TRIM ist für die CH4-Trimmung. TH.D/R ist für die Einstellung des CH4-Servos.

## Failsafe

Diese Funktion legt fest, was der Empfänger tun soll, wenn er das Signal vom Sender verliert, einschließlich der Servoposition usw.

Einstellung:

Wenn der Sender im normalen Kommunikationszustand eingeschaltet ist, halten Sie den einzustellenden Kanal an der Position der Failsafe-Setup, und halten Sie die BIND-Taste 3 Sekunden lang gedrückt. Die G.LED blinkt 2 Sekunden lang und zeigt damit an, dass die Einstellung erfolgreich ist. Das heißt, wenn der Empfänger das Signal nicht empfangen kann, wird er den eingestellten Failsafe-Wert ausgeben.

Hinweis: Die Failsafe-Funktion ist werksseitig nicht voreingestellt und muss daher manuell eingestellt werden. Wenn keine Failsafe-Einstellung eingestellt ist, gibt der Empfänger bei einem Signalverlust nichts aus.

## Einsteigermodus









Der Anfängermodus ist für Einsteiger in das Hobby gedacht. In diesem Modus wird der Gashebel auf 50 Prozent begrenzt, der Kanalbereich ist standardmäßig auf 1250~1500~1750 us eingestellt.

Einstellung:

Um zwischen Anfänger- und Normalmodus zu wechseln, halten Sie beim Einschalten des Senders die Taste für Kanal 4 gedrückt.

Hinweis: Standardmäßig ist das System auf den Normalmodus eingestellt. Wenn das System auf den Anfängermodus eingestellt ist, blinkt die GLED beim Einschalten langsam für 3 Sekunden. System auf den Anfängermodus eingestellt ist.

## ESC-Parameter-Einstellung

Betriebsmodus	Akkutyp	Feststellbremse	
 FWD/REV/BRK	 Lipo	 0%	 75%
 FWD/REV	 NiMH	 50%	 100%

Dial Switch sign

Der Wahlschalter am Sender dient zur Einstellung von ESC-Parametern, d.h. der Wahlschalter befindet sich in verschiedenen Positionen und die entsprechenden Parameterwerte sind unterschiedlich.

Einstellmethode:

Es gibt drei Parameter, die für den Regler eingestellt werden können, nämlich "Betriebsmodus", "Batterietyp" und "Schleppbremse". Es gibt Schiebeschalter mit den Nummern 1, 2, 3 und 4 auf dem Bedienfeld des Funkgeräts. Die oben genannten Parameter können durch Abwärts- und Aufwärtswahlen eingestellt werden.

Die genaue Funktionsweise ist wie folgt:

Wenn der Schiebeschalter Nr. 1 auf der unteren Position steht, bedeutet dies, dass der Betriebsmodus auf FWD / REV / BRK eingestellt ist.

Wenn der Schiebeschalter Nr. 1 auf der oberen Position steht, bedeutet dies, dass die Betriebsart auf FWD/REV eingestellt ist.

Wenn sich der Schiebeschalter Nr. 2 in der unteren Position befindet, zeigt er an, dass der Akkutyp auf Lipo eingestellt ist.

Wenn sich der Schiebeschalter Nr. 2 in der oberen Position befindet, bedeutet dies, dass der Akkutyp auf NiMH eingestellt ist.

Wenn sich die Schiebeschalter Nr. 3 und Nr. 4 in der unteren Position befinden, bedeutet dies, dass die Bremskraft auf 0% eingestellt ist.

Wenn der Schiebeschalter Nr. 3 auf "unten" und der Schiebeschalter Nr. 4 auf "oben" steht, bedeutet dies, dass die Schleppbremskraft auf 50% eingestellt ist.

Wenn der Schiebeschalter Nr. 3 auf "oben" und der Schiebeschalter Nr. 4 auf "unten" steht, bedeutet dies, dass die Schleppbremskraft auf 75% eingestellt ist.

Wenn sich die Schiebeschalter Nr. 3 und Nr. 4 in der oberen Position befinden, bedeutet dies, dass die Schleppbremskraft auf 100% eingestellt ist.

### 1. Fahrmodus

FWD/REV/BRK: Dieser Modus verwendet den "Doppelklick"-Rückwärtsmodus, d.h. wenn der Gashebel zum ersten Mal vom Nettobereich in den Bereich zum ersten Mal in den Rückwärtsgang geschoben wird, bremsst der Motor nur und fährt nicht rückwärts; wenn der Gashebel zurück in den normalen Bereich bewegt und zum zweiten Mal in den Rückwärtsgang geschoben wird, erfolgt der Rückwärtsgang. Dieser Modus ist für allgemeine Modelle geeignet.

FWD/REV: In diesem Modus wird der Rückwärtsgang mit einem Klick eingelegt, d.h. wenn der Gashebel vom Nettobereich in den in den Rückwärtsgang geschaltet wird, erzeugt der Motor sofort den Rückwärtsgang, was in der Regel bei Rock Crawlern angewendet wird.

Methode der Parametereinstellung:

Wenn der Schiebeschalter Nr. 1 auf der unteren Position steht, bedeutet dies, dass die Betriebsart auf FWD / REV / BRK eingestellt ist.

Wenn sich der Schiebeschalter Nr. 1 in der oberen Position befindet, bedeutet dies, dass die Betriebsart auf FWD/REV eingestellt ist.

### 2. Akku-Typ

Es gibt LiPo und NiMH-Zellen. Der Wert für den Niederdruckschutz ist bei den verschiedenen Typen unterschiedlich. Er kann entsprechend der tatsächlichen Verwendung eingestellt werden.

Methode der Parametereinstellung:

Wenn sich der Schiebeschalter Nr. 2 in der unteren Position befindet, bedeutet dies, dass der Akkutyp auf Lipo eingestellt ist.

Wenn sich der Schiebeschalter Nr. 2 in der oberen Position befindet, bedeutet dies, dass der Akkutyp auf NiMH eingestellt ist.

### 3. Schleppbremkraft

Die Schleppbremse bedeutet, dass der Gashebel, wenn er vom Vorwärts- oder Rückwärtsbereich in den Nettobereich bewegt wird, eine bestimmte Je größer der Wert ist, desto größer ist die Bremskraft des Motors. Wählen Sie die richtige Bremskraft entsprechend der tatsächlichen Situation.

Methode der Parametereinstellung:

Wenn sich die Schiebeschalter Nr. 3 und Nr. 4 in der unteren Position befinden, bedeutet dies, dass die Schleppbremkraft auf 0% eingestellt ist.

Wenn der Schiebeschalter Nr. 3 auf "unten" und der Schiebeschalter Nr. 4 auf "oben" steht, bedeutet dies, dass die Schleppbremkraft auf 50% eingestellt ist.

Wenn der Schiebeschalter Nr. 3 auf "oben" und der Schiebeschalter Nr. 4 auf "unten" steht, zeigt dies an, dass die Schleppbremkraft auf 75% eingestellt ist.

Wenn die Schiebeschalter Nr. 3 und Nr. 4 auf der oberen Position stehen, bedeutet dies, dass die Schleppbremkraft auf 100 % eingestellt ist.

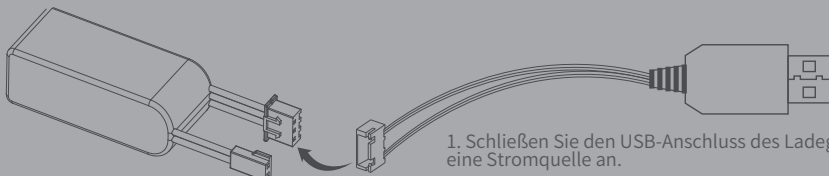
## Einstellung des Getriebes

Der Zahneingriff ist der Abstand zwischen dem Ritzel und dem Hauptzahnrad in Ihrem Fahrzeug. Wenn der Motor oder die Getriebekomponenten ausgetauscht werden, prüfen Sie, ob die Zahnräder nicht zu eng ineinandergreifen, da dies zu vorzeitigem Verschleiß führen kann.



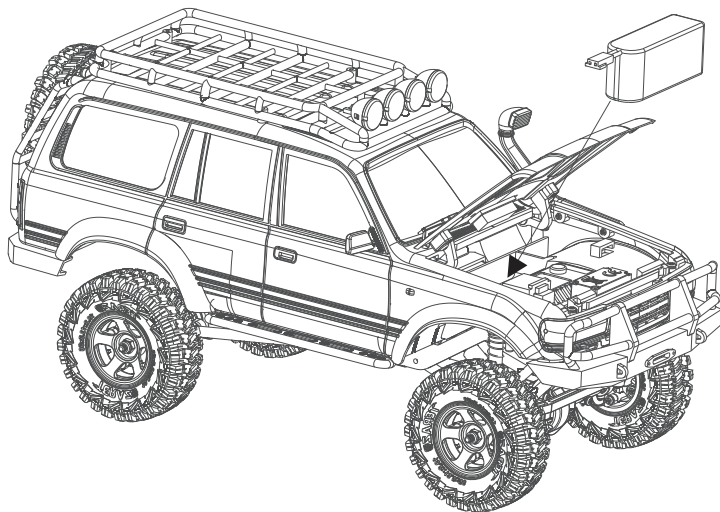
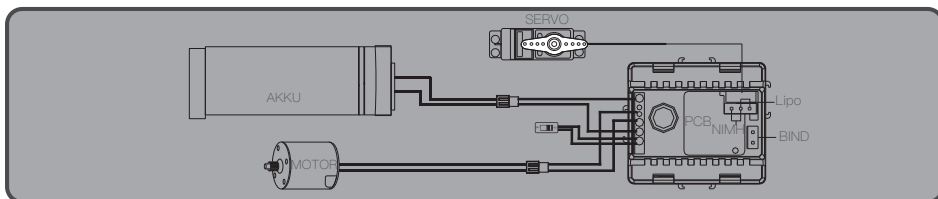
## Laden des Akkus

1. schließen Sie das Ladegerät an einen USB-Anschluss an und verbinden Sie den Akku mit dem Ladegerät.
2. während des Ladevorgangs blinkt die grüne LED, wenn der Akku geladen ist, leuchtet die grüne LED stabil.
3. lassen Sie den Akku nicht unbeaufsichtigt aufladen!
4. Wenn der Akku oder das Ladegerät heiß ist, trennen Sie den Akku und das Ladegerät sofort, da dies durch einen internen Kurzschluss verursacht werden kann.



1. Schließen Sie den USB-Anschluss des Ladegeräts an eine Stromquelle an.
2. Schließen Sie den Akku an das Ladegerät an.

- Laden Sie LiPo-Akkus immer auf nicht entflammaren, hitzebeständigen Oberflächen.
- Verwenden Sie zum Laden immer einen LiPo-sicheren Beutel oder Behälter. Erlauben Sie den LiPo-Zellen zu keiner Zeit, sich zu überhitzen: Zellen, die eine Temperatur von mehr als 60°C (140 Fahrenheit) erreichen, werden normalerweise beschädigt und fangen Feuer.
- Laden Sie den LiPo-Akku nicht auf, während er sich noch im Modell befindet. Laden oder lagern Sie Akkupacks niemals in einem Fahrzeug.
- Entladen Sie den LiPo nicht, da dies den Akku beschädigt.
- Setzen Sie LiPo-Zellen zu keiner Zeit Wasser oder Feuchtigkeit aus.
- Lagern Sie den Akku nicht in der Nähe von offenen Flammen oder Heizungen.
- Bauen Sie keine LiPo-Zellen oder vormontierte Packs mit anderen LiPo-Zellen oder Packs zusammen.
- Lagern Sie den LiPo-Akku immer an einem sicheren Ort und außerhalb der Reichweite von Kindern.
- Entfernen Sie immer den LiPo-Akku, wenn das Modell in einen Unfall verwickelt ist.
- Untersuchen Sie den Akku und die Anschlüsse sorgfältig auf kleinste Schäden.
- ACHTUNG: Die Zellen können nach dem Gebrauch heiß werden. Lassen Sie den Akku vor dem Aufladen auf Raumtemperatur abkühlen.
- Achten Sie darauf, dass der Elektrolyt nicht in die Augen oder auf die Haut gelangt. Waschen Sie die betroffenen Stellen sofort, wenn sie mit dem Elektrolyt in Berührung gekommen sind. Verändern Sie die Anschlüsse oder Kabel eines LiPo-Akkus nicht.
- Überprüfen Sie immer den Zustand des Akkus, bevor Sie ihn laden und in Betrieb nehmen.
- Schließen Sie den LiPo-Akku nicht kurz.
- Kommen Sie nicht direkt mit einem undichten/beschädigten Akku in Kontakt.
- Laden Sie den Akku nicht außerhalb des empfohlenen Temperaturbereichs (0°C - 45°C).



## HINWEIS

1. wenn das Gerät längere Zeit nicht benutzt wird, ziehen Sie den Stecker und nehmen Sie den Akku heraus, um ein Auslaufen des Akkus zu verhindern
2. Öffnen Sie den Akku nicht, nehmen Sie ihn nicht auseinander und versuchen Sie nicht, ihn zu reparieren.



## Spare parts list

C2049	1:18 050 Motor Set	C2042	LAND CRUISER LC80 Stoßstange und Seitenverkleidung
C2021	1:18 1kg Servo	C2043	LAND CRUISER LC80 Lichtscheibe
C2051	1:18 USB 2S LIPO Ladekabel	C2054	LAND CRUISER LC80 Karosserieschale
C2052	LIPO Akku 2S 380mAh	C2045	Teraz-Reifen 19,2 x 13,5 x 56
C2053	LAND CRUISER LC80 Motorhaube	C2046	LAND CRUISER LC80 Räder Satz
C2036	LAND CRUISER LC80 Front- und Rücklichtbecher-Set	C2056	LAND CRUISER LC80 Metallgetriebe
C2037	LAND CRUISER LC80 Haubenbefestigungssatz	C2057	LAND CRUISER LC80 Zahnradsatz
C2038	LAND CRUISER LC80 Dachgepäckträger	C2058	LAND CRUISER LC80 Getriebewelle kompletter Satz
C2039	LAND CRUISER LC80 Leiter und Ersatzradhalterung	C2059	LAND CRUISER LC80 Schrauben Set
C2040	LAND CRUISER LC80 Scheinwerferbecher-Satz	C2060	1:18 M2&M2.5 Schrauben Set
C2041	LAND CRUISER LC80 Rückspiegel und Scheibenwischer	C2061	LAND CRUISER LC80 Fenster

## CE Hinweis

Die für diesen Sender verwendete(n) Antenne(n) muss (müssen) in einem Abstand von mindestens 20 cm zu allen Personen installiert werden und darf (dürfen) nicht zusammen mit einem anderen Sender betrieben werden. Endbenutzer und Installateure müssen die Anweisungen zur Antenneninstallation und die Betriebsbedingungen des Senders erhalten, um die RF Exposition zu erfüllen.

## FCC Hinweis

FCC-ID: N4ZMG400

Dieses Gerät wurde getestet und entspricht den Grenzwerten für ein digitales Gerät der Klasse B gemäß Teil 15 der FCC-Vorschriften. Diese Grenzwerte sind so ausgelegt, dass sie einen angemessenen Schutz gegen schädliche Störungen bei der Installation in Wohngebieten bieten. Dieses Gerät erzeugt und verwendet Hochfrequenzenergie und kann diese ausstrahlen. Wenn es nicht gemäß den Anweisungen installiert und verwendet wird, kann es schädliche Störungen des Funkverkehrs verursachen. Es kann jedoch nicht garantiert werden, dass bei einer bestimmten Installation keine Störungen auftreten. Wenn dieses Gerät Störungen verursacht Wenn dieses Gerät den Radio- oder Fernsehempfang stört, was durch Ein- und Ausschalten des Geräts festgestellt werden kann, sollte der Benutzer versuchen, die Störung durch eine oder mehrere der folgenden Maßnahmen zu beheben:

- Richten Sie die Empfangsantenne neu aus oder stellen Sie sie um.
  - Vergrößern Sie den Abstand zwischen dem Gerät und dem Empfänger.
  - Schließen Sie das Gerät an eine Steckdose an, die nicht mit dem Stromkreis des Empfängers verbunden ist.
  - Wenden Sie sich an den Händler oder einen erfahrenen Radio-/Fernsehtechniker, um Hilfe zu erhalten.
- Um die Einhaltung der Vorschriften zu gewährleisten, können Änderungen oder Modifikationen, die nicht ausdrücklich von der für die Einhaltung der Vorschriften verantwortlichen Partei genehmigt wurden Um die Einhaltung der Vorschriften zu gewährleisten, können Änderungen oder Modifikationen, die nicht ausdrücklich von der für die Einhaltung der Vorschriften verantwortlichen Stelle genehmigt wurden, zum Erlöschen der Betriebserlaubnis führen.

Dieses Gerät erfüllt die Anforderungen von Teil 15 der FCC-Vorschriften. Der Betrieb unterliegt den folgenden zwei Bedingungen:

- (1) Dieses Gerät darf keine schädlichen Störungen verursachen.
- (2) Dieses Gerät muss alle empfangenen Interferenzen akzeptieren, einschließlich Interferenzen, die einen unerwünschten Betrieb verursachen können.

### Achtung!

Der Hersteller ist nicht verantwortlich für Funk- oder Fernsehstörungen, die durch nicht autorisierte Änderungen an diesem Gerät verursacht werden. Solche Modifikationen können dazu führen, dass der Benutzer die Berechtigung zum Betrieb des Geräts verliert.

1. Die für diesen Sender verwendete(n) Antenne(n) muss (müssen) in einem Abstand von mindestens 20 cm zu allen Personen installiert werden und darf (dürfen) nicht mit anderen Sendern zusammengeschaltet oder zusammen betrieben werden. Endbenutzer und Installateure müssen die Anweisungen zur Antenneninstallation und die Betriebsbedingungen des Senders erhalten, um die Einhaltung der RF-Exposition.
2. Bringen Sie alle Ihre Kanäle in die gewünschte Position.
3. Wählen Sie [Alle Kanäle] und dann [Ja] im Bestätigungsfeld.

## Konformitätserklärung

Wir,  
Dongguan Solid Model Technology Co.,Ltd  
3/F, Building B, 3rd Industry Zone,  
Matigang, Dalingshan Town  
Dongguan City of China 523810.

Telefon:0769-86976655  
Webseite:www.fmsmodel.com

erklären unter unserer Verantwortung, dass das Produkt:

Art der Ausrüstung: Antriebssystem und 2,4-GHz-Steuersystem  
Markenname: FMS  
Kompatibel für Fahrzeuge: 1:18 Land Cruiser 80  
Ausrüstung Modell: 11802 ROC004RTR



auf das sich diese Erklärung bezieht, mit den grundlegenden Anforderungen und anderen einschlägigen Anforderungen übereinstimmt. Mit der Richtlinie 2014/53/EU, der EMC-Richtlinie 2014/30/EU, der FCC-Kenn-  
nung N4ZMG400, EU-RoHS-Richtlinie 2011/65/EU und Richtlinie 2014/30/EU des Rates. Das Produkt ist  
konform mit mit den folgenden Normen und/oder anderen normativen Dokumenten:

EN 301 489-1 V2.2.3  
EN 301 489-17 V3.2.4  
EN 300 328 V2.2.2  
EN 62479:2010  
EN 62368-1:2014+A11:2017  
IEC 62321-2:2013, IEC 62321-1:2013, IEC 62321-3-1:2013,  
IEC 62321-5:2013, IEC 62321-4:2013, IEC 62321-7-2:2017,  
IEC 62321-7-1:2015, IEC 62321-6:2015  
ETSI EN 301 489-1 V2.1.1  
ETSI EN 301 489-17 V3.1.1  
EN 55032:2015  
EN 610003-2: 2014, EN 61000-3-3: 2013  
EN 55035:2017

### VERTEILER

Distributor für Deutschland, Österreich, Schweiz:

#### **D-Power Modellbau**

Sürther Str. 92-94  
50996 Köln  
Germany  
Tel.: (0221) 346 641 57

## Introduction

Vous cherchez un mini Scaler fiable, détaillé et à l'aise sur n'importe quel terrain ?

Voici le Toyota LC80 Land Cruiser !

Des éclairages réalistes aux clignotants fonctionnels en passant par les aérations sur la carrosserie du véhicule, le Land Cruiser a été conçu avec le même standard que les modèles statiques. Même l'intérieur est minutieusement recréé à l'échelle 1:18.

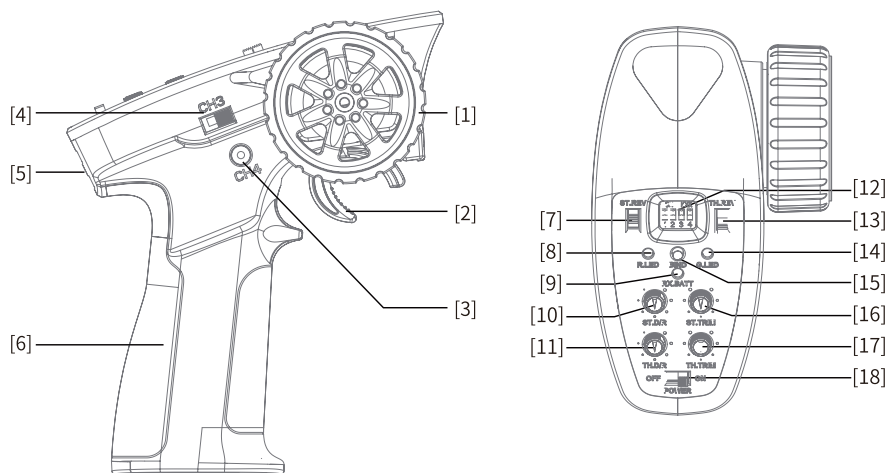
Un châssis truffé de fonctionnalités et éprouvé sur les pistes équipe le Land Cruiser. Les rails en aluminium donnent une plateforme rigide avec géométrie multiliasons avec une conception du châssis à barre Panhard permettant d'articuler le châssis au maximum.

La puissance est fournie par un boîtier de transmission à couple super-élevé, vers les roues Beadlock équipées de pneus super-adhérents, via des arbres de transmission en nylon.

L'électronique étanche alimentée par un LiPo 2S 7,4V comprend un servo indépendant, un module "2 en 1" récepteur et variateur, un moteur 050 et une batterie 7,4V 380 mAh. Le tout fournit un rapport puissance-poids élevé pour une utilisation par tous les temps.

Si vous cherchez le meilleur look, les meilleures performances du marché pour un crawler au 1/18è, ne cherchez pas plus loin que le Land Cruiser LC80 !

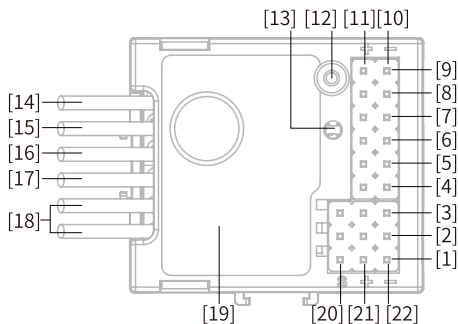
## Vue d'ensemble de l'émetteur



[1]	Volant, débattement de 35° de chaque côté. (Voie 1)	[10]	ST.D/R (Dual rate de direction)
[2]	Gâchette. 25° vers l'avant, 12,5° vers l'arrière. (Voie 2)	[11]	TH.D/R (Dual rate de gaz)
[3]	Bouton-poussoir (Voie 4). Bouton type bascule.	[12]	Bloc Dip-switchs de paramétrage du variateur
[4]	Interrupteur 3 positions (Voie 3)	[13]	TH.REV (Inversion voie des gaz)
[5]	Trou pour sangle	[14]	LED Verte
[6]	Poignée, logement pour 4 piles AAA	[15]	BIND (Appairage)
[7]	ST.REV (Inversion de la direction)	[16]	ST.TRIM (Trim de direction)
[8]	LED Rouge	[17]	TH.TRIM (Trim des gaz)
[9]	Témoin batterie Réception	[18]	Interrupteur ON/OFF

Bouton	Position d'éclairage	Fonction	Nombre d'appuis					Moyen de contrôle	Remarques
			I	II	III	IV	V		
CH4	Phares avant	Toujours ON	OFF	•	OFF	OFF	OFF		
		Toujours OFF	OFF	OFF	•	•	OFF		
		Feux de recul	○	○	○	○	○	Contrôle par commande des gaz	
	Cligno- tants	Clignotant gauche	OFF	○	○	OFF	○	Contrôle par commande de direction	Le phare de recul s'allume quand vous faites marche arrière.
		Clignotant droit	OFF	○	○	OFF	○	Contrôle par commande de direction	
Feux de détresse		OFF	OFF	OFF	•	OFF			

## Vue d'ensemble du récepteur



[1]	Voie 1	[9]	Prise éclairage de toit	[17]	Fil de moteur "M+"
[2]	Voie 3	[10]	Prise éclairage "-"	[18]	Fils de l'interrupteur
[3]	Voie 4	[11]	Prise éclairage "+"	[19]	Autocollants
[4]	Prise éclairage Gauche	[12]	Antenne	[20]	Signal des voies
[5]	Prise éclairage Droite	[13]	LED	[21]	Tension "+" des voies
[6]	Prise éclairage Avant	[14]	Fil de batterie "-"	[22]	Tension "-" des voies
[7]	Prise éclairage Arrière	[15]	Fil de batterie "+"		
[8]	Prise éclairage ambiant	[16]	Fil de moteur "M-"		

## Mise en place des piles de l'émetteur

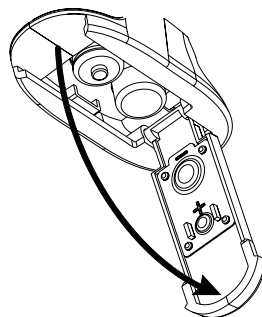
Type de piles : AAA

Mise en place :

- Ouvrez la trappe du logement des piles.
- Placez 4 piles complètement chargées dans le logement. Assurez-vous que les piles font un bon contact avec les contacts du logement des piles.
- Remettez la trappe en place.

Alarme de piles faibles : Quand la tension des piles est inférieure à 4,2 V, la LED verte sur le panneau de contrôle clignote lentement.

Note : Lors de la mise en place des piles, assurez-vous de respecter la polarité (comme montré sur le schéma à droite).



## Avertissements

- Ce véhicule n' est pas conçu pour une utilisation par des personnes de moins de 14 ans sans surveillance par un adulte. Ce n' est pas un jouet ! Ne pas utiliser ou entretenir ce véhicule en sécurité peut provoquer des blessures.
- Remplacez les éléments endommagés par des pièces d' origine. Faites particulièrement attention à la polarité de tous les câblages du véhicule.
- Utilisez exclusivement des batteries Lithium-Polymère 2S approuvées. Ne surchargez pas, et ne déchargez pas excessivement la batterie, car ceci peut conduire à un risque d' incendie de la batterie. Si la batterie s' chauffe durant la charge, stoppez immédiatement la charge et débranchez la batterie du chargeur. Ne laissez jamais la batterie sans surveillance durant la charge. Si vous n' êtes pas certain de la façon de charger la batterie, faites appel à un modéliste RC expérimenté. Ne laissez jamais les enfants charger la batterie sans surveillance.
- Le moteur s' chauffe durant le fonctionnement. Attendez 10 à 15 minutes entre chaque run afin de laisser le véhicule refroidir. Ceci prolongera la durée de vie de votre véhicule.
- Faites preuve de bon sens lors du choix du site où vous utilisez votre véhicule. Ne l' utilisez pas à proximité de câbles électriques, de tours de télécommunication ou d' antennes de réseau mobile, de terrains détremés ou instables. L' utilisateur est seul responsable de ses actes.
- Le produit est constitué d' éléments électriques et électroniques de précision. Il est primordial de tenir le produit à l' écart de l' humidité et d' autres polluants. Si le produit a été exposé à l' humidité, assurez-vous que l' électronique a pu sécher complètement avant une nouvelle utilisation.
- Vérifiez toujours la portée radio du véhicule avant toute utilisation afin d' éviter une perte de contrôle ou des interférences.
- Utilisez ce produit en tenant compte de votre niveau de compétences. S' il est dangereux de récupérer le modèle, ça ne vaut jamais la peine de prendre un risque.
- Allumez toujours l' émetteur avant de connecter la batterie du modèle. Quand vous éteignez le modèle, commencez toujours par débrancher la batterie du véhicule, puis, éteignez l' émetteur. Si vous procédez en ordre inverse, le modèle peut devenir incontrôlable et causer des dégâts importants.
- Ne laissez jamais l' émetteur fonctionner avec des piles faibles, vous pourriez perdre le contrôle du véhicule.
- Les plastiques du véhicule peuvent être endommagés ou déformés en cas de conditions climatiques extrêmement chaudes ou froides. Ne stockez pas le modèle près d' une source de chaleur comme un four ou un radiateur. Rangez le modèle à l' intérieur dans une pièce tempérée.
- Ne raccourcissez jamais l' antenne du récepteur. Cela peut affecter la portée de transmission de l' ensemble radio.
- Utilisez uniquement les piles spécifiées (4 piles AAA).
- Ne pas ouvrir, démonter ou tenter de réparer la batterie.
- Ne pas couper ou poinçonner la batterie, ne pas faire de court-circuit entre les contacts.
- Ne pas exposer à une chaleur excessive ou à des liquides.
- Ne pas laisser tomber la batterie, ne pas l'exposer à des chocs importants ou à des vibrations.
- Ranger toujours la batterie dans un endroit frais et sec.
- N'utilisez pas la batterie si elle est endommagée.

## Mise sous tension

Suivez ces étapes pour allumer l'émetteur :

1. Vérifiez que la batterie est complètement chargée et correctement mise en place.
  2. Mettez l'inter de l'émetteur sur ON. La LED rouge s'allume.
  3. Connectez la batterie au récepteur.
- \* Pour la sécurité, allumez toujours l'émetteur avant le récepteur.



### Note

- Soyez prudent afin d'éviter des dégâts ou des blessures.
- Vérifiez que les gaz sont au minimum et que les interrupteurs sont en bonne position.

## Indicateurs à LED

1. R.LED : Indicateur d'alimentation à LED rouge.
2. G.LED : Indicateur d'état à LED verte.
3. Indicateur du niveau de la batterie de la voiture : LED à deux couleurs pour afficher le niveau de la batterie (référéncée ci-dessous comme D3)
  - Quand la puissance est élevée, D3 est verte et allumée fixe.
  - Quand la puissance est moyenne, D3 est jaune et allumée fixe.
  - Quand la puissance est faible, D3 est rouge et allumée fixe.
  - Quand la puissance est coupée, D3 clignote en rouge.
  - Quand le récepteur envoie le code, la lumière bicolore est éteinte.

## Appairage

L'émetteur et le récepteur ont déjà été appairés en usine.

Toutefois, si le récepteur devait être remplacé ou si vous voulez appairer d'autres récepteurs, suivez ces étapes :

1. Allumez l'émetteur en maintenant le bouton BIND appuyé pour entrer en mode d'appairage. La LED verte va clignoter rapidement. Une fois en mode d'appairage, relâchez le bouton BIND.
2. Mettez le récepteur sous tension et attendez une seconde, le code va s'enregistrer automatiquement.
3. Une fois l'appairage réussi, la LED du récepteur reste allumée.

Note : Pour l'appairage, mettez en premier l'émetteur en mode d'appairage, et seulement ensuite le récepteur.

## Calibrage du volant et de la gâchette

Cette fonction sert à régler le neutre des gaz et de la direction.

Chaque émetteur est calibré avant de quitter l'usine. Toutefois, si un recalibrage était nécessaire, merci de suivre les étapes suivantes :

1. Tournez et maintenez le volant en butée en sens horaire, tenez la gâchette tirée à fond (marche avant), puis allumez l'émetteur pour entrer en mode de calibrage.
  - La LED rouge et la LED verte clignent deux fois.
  - Le témoin de batterie de la voiture D3 reste allumé jaune fixe.
2. Calibrage du volant : Tournez le volant à fond en sens horaire, puis en sens anti-horaire.
  - Quand le calibrage est terminé, la LED rouge s'éteint.
  - Le témoin de batterie de la voiture D3 reste allumé rouge fixe.
3. Calibrage de la gâchette des gaz : Tirez la gâchette à fond, puis poussez-la jusqu'à l'autre butée.
  - Quand le calibrage est terminé, la LED verte s'éteint.
  - Le témoin de batterie de la voiture D3 reste allumé vert fixe.
4. Calibrage du volant et de la gâchette réussis
  - Les deux LEDs colorées s'éteignent.
5. Une fois le calibrage terminé, appuyez sur le bouton BIND pour sauver et quitter.

## Mise hors tension

Suivez ces étapes pour éteindre l'ensemble :

1. Débranchez l'alimentation du récepteur.
2. Mettez l'interrupteur de l'émetteur sur OFF.



### Note

Assurez-vous de débrancher toujours l'alimentation du récepteur avant d'éteindre l'émetteur. Ne pas le faire peut entraîner des dégâts ou des blessures graves.

## Description des voies

L'émetteur dispose de 4 voies au total, affectées de la manière suivante :

- Voie 1 : Direction (Volant)
- Voie 2 : Gâchette des gaz
- Voie 3 : Interrupteur à trois positions
- Voie 4 : Interrupteur poussoir

Note : Par défaut, la sortie de la voie 4 est de 1 000  $\mu$ s. Chaque appui sur le bouton bascule entre 1000 et 2000  $\mu$ s.

## Inversion de sens des voies

Cette fonction sert à régler le sens d'action du servo ou du moteur.

Les inters ST.REV et TH.REV sont les interrupteurs d'inversion des voies 1 et 2. Interrupteur en haut, la voie est inversée, interrupteur en bas, la voie est dans le sens normal.

## Trims

Le trim ST.TRIM est le trim de la voie 1 (Direction), et il peut être multiplexé comme trim de la voie 3.

Le trim TH.TRIM est le trim de la voie 2 (Gaz), et il peut être multiplexé comme trim de la voie 4.

Pour les modes de multiplexage, voir le chapitre "Basculement de mode".

## D/R (Dual Rates)

ST.D/R est le dual rate (double débattement) de la voie 1 (Direction). Il peut être multiplexé comme dual rate de la voie 3.

TH.D/R est le dual rate (double débattement) de la voie 2 (Gaz). Il peut être multiplexé comme dual rate de la voie 4. Plage de réglage : 0-120 %

Pour les modes de multiplexage, voir le chapitre "Basculement de mode".

ST.D/R : Tourner le potentiomètre en sens anti-horaire augmente le débattement du servo. La valeur maxi est de 120 %.

ST.D/R : Tourner le potentiomètre en sens horaire diminue le débattement du servo. La valeur mini est de 0 %.

TH.D/R : Tourner le potentiomètre en sens anti-horaire augmente le débattement du servo. La valeur maxi est de 120 %.

TH.D/R : Tourner le potentiomètre en sens horaire diminue le débattement du servo. La valeur mini est de 0 %.

## Basculement de mode

Cette fonction sert à réutiliser les boutons ST.TRIM et ST.D/R pour des voies différentes.

Réglage de la fonction : En condition de mise sous tension normale, appuyez deux fois sur le bouton BIND (en 1 seconde) pour basculer entre mode 1 et mode 2 (Mode 1 par défaut).

Mode 1 : LED rouge allumée fixe, LED Verte éteinte. ST.TRIM sert pour la voie 1, ST.D/R sert au réglage du servo sur la voie 1. TH.TRIM sert de trim de gaz (voie 2) et TH.D/R sert au réglage de course des gaz (voie 2).

Mode 2 : LED rouge et verte clignotent alternativement. ST.TRIM sert pour la voie 3, ST.D/R sert au réglage du servo sur la voie 3. TH.TRIM sert de trim de la voie 4 et TH.D/R sert au réglage de course de la voie 4.

## Fail-Safe

Cette fonction indique au récepteur quoi faire dans le cas d'une perte du signal de l'émetteur. Ceci inclut la position des servos, etc.

Réglage :

Quand l'émetteur est allumé et en condition normale de communication, tenez les commandes des voies dans la position désirée pour le fail-safe, et appuyez et maintenez le bouton BIND durant 3 secondes. La LED Rouge clignote durant 2 secondes, indiquant que le réglage est réussi. Ainsi, si le récepteur ne reçoit plus le signal, il utilisera les valeurs de fail-safe enregistrées.

Note : La fonction fail-safe n'a pas de valeur par défaut réglée en usine et doit donc être réglée manuellement. Si vous ne réglez pas de valeur de fail-safe, le récepteur n'enverra aucun ordre si le signal est perdu.

## Mode débutant

Le mode débutant est conçu pour les nouveaux arrivants dans ce hobby.

Dans ce mode, les gaz sont limités à 50 %. La plage de la voie par défaut est 1250~1500~1750 µs.

Réglage :

Pour basculer entre les modes débutant et normal, appuyez et maintenez le bouton de la voie 4 lors de la mise sous tension de l'émetteur.

Note : par défaut, le système est en mode normal. La LED rouge clignote lentement 3 fois lors de la mise sous tension si le système est réglé en mode débutant.

## Réglage des paramètres du variateur

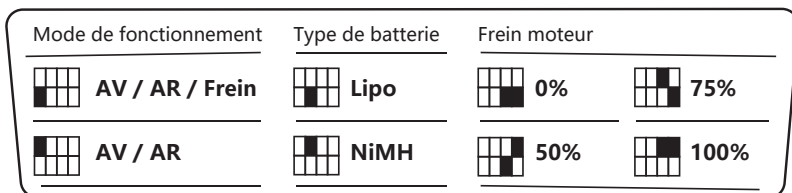


Diagramme des dip-switchs

Les Dip-Switchs sur l'émetteur servent à configurer le variateur. Différentes positions des Dip-Switchs correspondent à différentes valeurs de paramètres.

Méthode de réglage :

Trois paramètres peuvent être réglés sur le variateur : le mode de fonctionnement, le type de batterie et le frein-moteur. Les Dip-Switchs sont numérotés 1, 2, 3 et 4 sur le panneau de l'émetteur. Les paramètres ci-dessus peuvent être obtenus en montant ou en descendant les Dip-Switchs ainsi :

- Dip-Switch 1 en bas : Mode de fonctionnement avec Marche avant, Marche arrière et Freinage.
- Dip-Switch 1 en haut : Mode de fonctionnement avec Marche avant et Marche arrière.
- Dip-Switch 2 en bas : Type de batterie LiPo.
- Dip-Switch 2 en haut : Type de batterie NiMH.
- Dip-Switch 3 et 4 en bas : Force du frein moteur à 0 %
- Dip-Switch 3 en bas et dip-switch 4 en haut : Force du frein moteur à 50 %.
- Dip-Switch 3 en haut et dip-switch 4 en bas : Force du frein moteur à 75 %.
- Dip-Switch 3 et 4 en haut : Force du frein moteur à 100 %.



Explication des paramètres :

#### 1. Mode de fonctionnement

AV/AR/Frein : Ce mode utilise la méthode du "double-clic" pour la marche arrière. Quand on pousse la gâchette du neutre vers la zone de marche arrière une première fois, le moteur ne fait que freiner et ne fait pas marche arrière. Quand la gâchette est poussée pour la seconde fois du neutre vers la marche arrière, le moteur fait reculer la voiture. Ce mode s'applique aux modèles de manière générale.

AV/AR : Ce mode utilise la méthode "un clic" pour la marche arrière. Dès que la gâchette est poussée du neutre vers la marche arrière, le moteur engage immédiatement une action en marche arrière. Ceci s'utilise en général sur les Rock Crawlers.

Méthode de réglage du paramètre :

- Dip-Switch 1 en bas : Mode de fonctionnement avec Marche avant, Marche arrière et Freinage.
- Dip-Switch 1 en haut : Mode de fonctionnement avec uniquement Marche avant et Marche arrière.

#### 2. Type de batterie

Il y a des éléments de batterie LiPo et NiMH. La valeur de protection contre les tensions trop faibles est différente selon le type. Elle doit être adaptée en fonction de l'utilisation effective.

Méthode de réglage du paramètre :

- Dip-Switch 2 en bas : Type de batterie réglé sur LiPo.
- Dip-Switch 2 en haut : Type de batterie réglé sur NiMH.

#### 3. Force du frein moteur

Le frein moteur signifie que quand la gâchette des gaz est placée dans la plage neutre, le moteur fournit une certaine force de freinage. Plus grande est la valeur, plus importante est ce frein moteur. Choisissez une force de frein moteur adaptée à la situation.

Méthode de réglage du paramètre :

- Dip-Switch 3 et 4 en bas : Force du frein moteur réglé à 0 %
- Dip-Switch 3 en bas et dip-switch 4 en haut : Force du frein moteur réglé à 50 %.
- Dip-Switch 3 en haut et dip-switch 4 en bas : Force du frein moteur réglé à 75 %.
- Dip-Switch 3 et 4 en haut : Force du frein moteur réglé à 100 %.

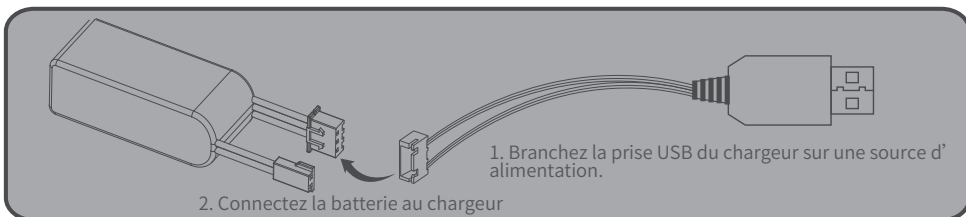
## Réglage de l'entredents

L'entredents est le jeu entre le pignon et la couronne de votre véhicule. Si vous remplacez le moteur ou des éléments de la pignonerie, vérifiez que l'entredents n'est pas trop serré, car cela peut engendrer une usure prématurée.



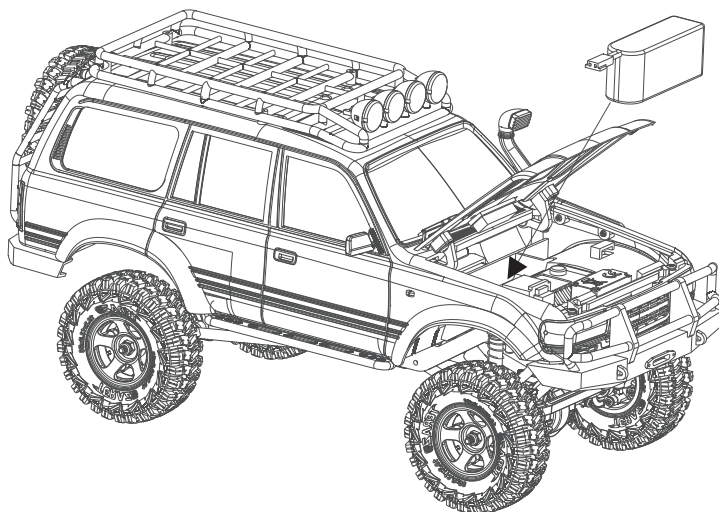
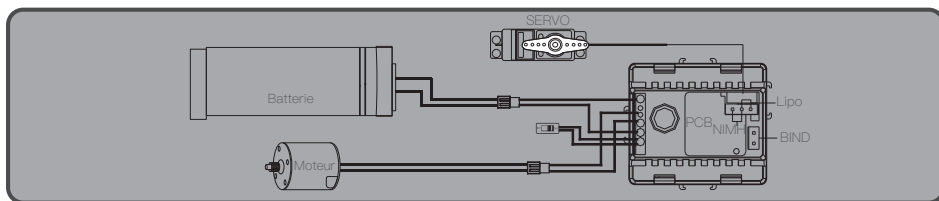
## Charge de la batterie

1. Branchez le chargeur sur un port USB alimenté, puis connectez la batterie au chargeur.
2. Durant la charge, la LED verte clignote. Quand la charge est terminée, la LED verte est allumée fixe.
3. Ne laissez pas la batterie en charge sans surveillance !
4. Si la batterie ou le chargeur s'échauffent, débranchez immédiatement la batterie et le chargeur, car cela peut être causé par un court-circuit interne.



## Conseils pour les batteries LiPo

- Chargez toujours les batteries LiPo sur une surface ininflammable et résistant à la chaleur.
- Utilisez toujours un sac de charge pour LiPo ou un container durant la charge. Ne laissez jamais les éléments LiPo surchauffer. Des éléments qui dépassent les 60 °C (140 °F) sont en général endommagés et vont prendre feu.
- Ne chargez jamais les batteries LiPo à l' intérieur du modèle. Ne chargez pas et ne stockez pas de batteries à l' intérieur d' un véhicule.
- Ne déchargez pas exagérément les LiPo. Cela endommage la batterie.
- N' exposez pas les éléments LiPo à l' humidité ou à l' eau.
- Ne rangez pas des batteries à proximité de flammes ou d' un radiateur.
- N' assemblez pas des éléments LiPo ou des packs pré-assemblés ensemble ou avec d' autres éléments ou packs LiPo.
- Sortez toujours la batterie LiPo du modèle si celui-ci a subi un quelconque accident.
- Rangez toujours les batteries LiPo hors de portée des enfants.
- Inspectez l' état de la batterie et des connecteurs à la recherche du moindre dommage.
- ATTENTION : Les éléments peuvent être chauds après utilisation. Laissez le pack refroidir à température ambiante avant de le recharger.
- Ne laissez pas l' électrolyte entrer dans les yeux ou en contact avec la peau. Si cela arrive, rincez abondamment à l' eau. N' altérez pas et ne modifiez pas les connecteurs ou les fils d' un pack LiPo.
- Vérifiez toujours l' état de la batterie avant de la charger et de l' utiliser.
- Ne mettez pas une batterie LiPo en court-circuit.
- Ne touchez pas directement une batterie endommagée ou qui fuit.
- Ne chargez pas une batterie par une température en dehors de la plage recommandée (Entre 0 °C et 45 °C)



1. Si vous n'utilisez pas le produit un long moment, débranchez et sortez la batterie pour éviter une fuite.
2. Ne pas ouvrir, démonter ou tenter de réparer la batterie.

## Liste des pièces de rechange

C2049	Set moteur 050 1/18	C2042	Pare-chocs et panneau latéral Land Cruiser LC80
C2021	Servo 1/18 1 kg	C2043	Vitres de phares Land Cruiser LC80
C2051	Cordon de charge USB pour LiPo 2S 380 pour 1/18	C2054	Carosserie Land Cruiser LC80
C2052	Batterie FMS LiPo 2S 380 mAh	C2045	Pneu Teraz 19,2 x 13,5 x 56
C2053	Capot Land Cruiser LC80	C2046	Jeu de jantes Land Cruiser LC80
C2036	Jeu de boîtiers d'éclairage AV & AR Land Cruiser LC80	C2056	Jeu de pignons métal Land Cruiser LC80
C2037	Set de fixation capot Land Cruiser LC80	C2057	Jeu de pignons Land Cruiser LC80
C2038	Galerie de toit Land Cruiser LC80	C2058	Jeu d'arbres de transmission Land Cruiser LC80
C2039	Echelle et support roue de secours Land Cruiser LC80	C2059	Jeu de vis Land Cruiser LC80
C2040	Jeu de phares spot Land Cruiser LC80	C2060	Ecrous 1/18 M2 & M2,5
C2041	Rétroviseur et essuie-glaces Land Cruiser LC80	C2061	Vitres Land Cruiser LC80

## Avertissement CE

La ou les antennes utilisées sur cet émetteur doivent être installées afin de procurer une distance de séparation d'au moins 20 cm de toute personne et ne doivent pas être colocalisées ou utilisées en conjonction avec tout autre émetteur. Les utilisateurs finaux et les installateurs doivent être livrés avec les instructions d'installation d'antenne et les conditions d'utilisation de l'émetteur afin de respecter les règlements sur l'exposition aux rayonnements RF.

## Appendice I - Déclaration FCC

FCC ID : N4ZMG400

Cet équipement a été testé et déclaré conforme aux limites d'un appareil numérique de classe B conformément à la part 15 des règlements FCC. Ces limites sont conçues pour fournir une protection raisonnable contre les interférences nuisibles dans une installation résidentielle. Cet équipement génère, utilise et peut émettre de l'énergie radioélectrique et, s'il n'est pas installé et utilisé conformément aux instructions, peut provoquer des interférences nuisibles aux communications radio. Cependant, il n'y a aucune garantie que des interférences ne se produiront pas dans une installation particulière. Si cet équipement provoque des interférences nuisibles à la réception radio ou télévision, ce qui peut être déterminé en éteignant et en rallumant l'équipement, l'utilisateur est encouragé à essayer de corriger l'interférence par une ou plusieurs des mesures suivantes :

- Réorientez ou déplacez l'antenne de réception.
- Augmenter la séparation entre l'équipement et le récepteur.
- Branchez l'équipement dans une prise sur un circuit différent de celui auquel le récepteur est connecté.
- Consultez le revendeur ou un technicien radio/TV expérimenté pour obtenir de l'aide.

Pour assurer une conformité continue, tout changement ou modification non expressément approuvé par la partie responsable de la conformité pourrait annuler le droit de l'utilisateur à utiliser cet équipement.

Cet équipement est conforme à la part 15 des règlements FCC. L'exploitation est soumise aux deux conditions suivantes :

- (1) Cet appareil ne doit pas provoquer d'interférences nuisibles.
- (2) Cet appareil doit accepter toute interférence reçue, y compris les interférences pouvant provoquer un fonctionnement indésirable.

Attention !

Le fabricant n'est pas responsable des interférences radio ou TV causées par des modifications non autorisées de cet équipement. De telles modifications pourraient annuler le droit de l'utilisateur à utiliser l'équipement. Les antennes utilisées pour cet émetteur doivent être installées de manière à fournir une distance de séparation d'au moins 20 cm de toutes les personnes et ne doivent pas être co-localisées ou fonctionner conjointement avec un autre émetteur. Les utilisateurs finaux et les installateurs doivent recevoir les instructions d'installation de l'antenne et les conditions de fonctionnement de l'émetteur pour satisfaire à la conformité d'exposition aux RF.

## Déclaration de conformité (DoC)

Nous,  
Dongguan Solid Model Technology Co.,Ltd  
3/F, Building B, 3rd Industry Zone,  
Matigang, Dalingshan Town  
Dongguan City of China 523810.

Phone:0769-86976655  
Web:www.fmsmodel.com

Déclarons sous notre responsabilité que le produit :

Type d'équipement : Ensemble de pilotage et de contrôle 2,4 GHz

Marque : FMS

Compatible pour voitures : 1:18 Land Cruiser 80

Modèle de l'équipement : 11802 ROC004RTR



auquel cette déclaration se rapporte est conforme aux exigences essentielles et aux autres exigences pertinentes de la directive 2014/53/UE, de la directive EMC 2014/30/UE, de la directive EMC 2014/53/UE, de l'identificateur FCC N4ZMG400, de la directive européenne RoHS 2011/ 65/UE et directive du conseil 2014/30/UE. Le produit est conforme aux normes et/ou autres documents normatifs suivants :

EN 301 489-1 V2.2.3

EN 301 489-17 V3.2.4

EN 300 328 V2.2.2

EN 62479:2010

EN 62368-1:2014+A11:2017

IEC 62321-2:2013, IEC 62321-1:2013, IEC 62321-3-1:2013,

IEC 62321-5:2013, IEC 62321-4:2013, IEC 62321-7-2:2017,

IEC 62321-7-1:2015, IEC 62321-6:2015

ETSI EN 301 489-1 V2.1.1

ETSI EN 301 489-17 V3.1.1

EN 55032:2015

EN 610003-2: 2014, EN 61000-3-3: 2013

EN 55035:2017

### DISTRIBUTEUR

Distributeur en France et au Benelux:

**Beez2B sprl**

54 rue de Thy

B-1470 Baisy Thy

Belgique 3 Tél. : +32 2 376 71 82

## 产品介绍

您是否正在寻找一款细节不马虎、性能不将就、令人耳目一新、过目不忘的迷你攀爬车？FMS荣誉出品 1:18丰田LC80 陆地巡洋舰，精准嵌合您的一切需求。

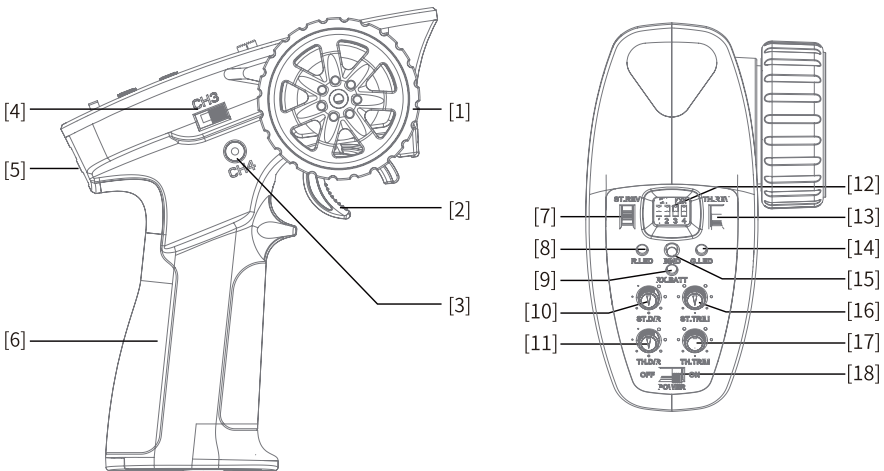
从复古的像真车灯到转向联动的方向灯组，从车身硬朗线条到精心制作的散热格栅，到仿真伞齿驱动车轴，到静态模型级别的全比例驾驶舱内饰，专注于每个细节！

只有漂亮的外观显然是不够的，作为迷你硬派越野攀爬车，1:18丰田LC80 陆地巡洋舰亦有硬派底盘与悬吊。铝合金大梁确保即便在崎岖地形中车架依旧保持良好的刚性。多连杆悬吊与止推杆设计有效精准舵机动作。超高扭力的齿轮箱与尼龙传动轴，将动力传递到车轴，再通过抓地力强的软胎传递至地面。

防溅水的电子系统是1:18丰田LC80 陆地巡洋舰的一大亮点：独立舵机、二合一接收与电调、050大扭力电机、7.4V 380毫安时锂电池，使冒险者可在任何天气和地形下行走。续航力长达30分钟！

如果你喜欢兼具收藏和操作价值的越野攀爬车丰田LC80 陆地巡洋舰是您的不二之选！

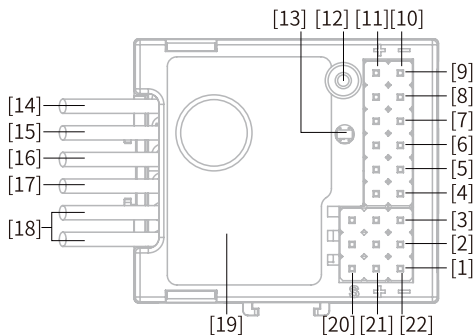
## 发射机概览



[1] 方向手轮，左右各 35 度 (CH1)	[10] 方向舵量调节旋钮 (ST.D/R)
[2] 油门扣机，前 25 度后 12.5 度 (CH2)	[11] 油门舵量调节旋钮 (TH.D/R)
[3] 按键开关 (CH4) [ 按键功能为翻转式 ]	[12] 拨码开关 (切换电调的工作模式)
[4] 三档拨动开关 (CH3)	[13] 油门倒置开关 (TH.REV)
[5] 挂绳孔	[14] 状态指示灯绿色 LED (G.LED)
[6] 手柄，4*AAA 电池仓	[15] 对码按键 (BIND)
[7] 方向倒置开关 (ST.REV)	[16] 方向微调旋钮 (ST.TRIM)
[8] 电源指示灯红色 LED (R.LED)	[17] 油门微调旋钮 (TH.TRIM)
[9] 电调电池电量显示双色灯 (RX.BATT)	[18] 电源开关

按钮	车灯位置	功能	按次数					控制方式	备注
			I	II	III	IV	V		
CH4	车头部灯	前灯常亮	关闭	•	关闭	关闭	关闭		
		前灯高光常亮	关闭	关闭	•	•	关闭		
		倒车灯	○	○	○	○	○	油门联动控制	
	转向灯	左转灯	关闭	○	○	关闭	○	方向联动控制	倒车操作时 倒车灯亮
		右转灯	关闭	○	○	关闭	○	方向联动控制	
		左右转双闪	关闭	关闭	关闭	•	关闭		

## 接收机概览



[1]	CH1 通道接口	[9]	车顶灯接口	[17]	马达线 “M+”
[2]	CH3 通道接口	[10]	车灯接口 “-” 端	[18]	电源开关线
[3]	CH4 通道接口	[11]	车灯接口 “+” 端	[19]	贴纸
[4]	左转灯接口	[12]	接收机天线	[20]	通道接口 “S” 端
[5]	右转灯接口	[13]	LED 指示灯	[21]	通道接口 “+” 端
[6]	前大灯接口	[14]	电池线 “-”	[22]	通道接口 “-” 端
[7]	后尾灯接口	[15]	电池线 “+”		
[8]	氛围灯接口	[16]	马达线 “M-”		

## 发射机电池安装

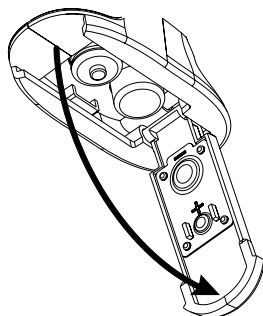
电池类型使用：AAA 电池

请按照以下步骤安装发射机电池：

1. 打开电池仓盖。
2. 将4颗电量充足的AAA电池装入电池仓内，确保电池上的金属端子与电池仓内的金属端子接触。
3. 盖好电池仓盖。

低电量报警：当电量低于4.2v时，面板上的G.LED慢闪报警提示。

注：安装电池时，请留意电池正负极，避免安装错误。（如右图所示）



## 警告

- 本产品非玩具级别，不适合14岁以下的儿童操作使用。未成年人应在有经验的成年人陪同下操作使用。
- 请使用原厂部件更换损坏的部件。特别注意所有车辆接线的正负极。
- 只能使用2节锂聚合物电池。不要过度充电或过度放电，以免电池泄露或损坏产生火灾隐患。如果电池在充电过程中温度过热，请立即停止充电，并将电池与充电器断开。请勿在无人看管的情况下给电池充电。
- 如果您不确定如何安全地进行充电，请向经验丰富的遥控模型产品玩家寻求建议。不要让孩子在没有成人监督的情况下给电池充电。
- 由于电机在使用过程中会发热，两次操作中要留出大约10-15分钟的时间冷却电机，以延长产品的使用寿命。
- 务必选择合适的环境操作遥控模型，所选环境需远离电缆、无线电塔、深水及不稳定地形。本品操作者对其行为全权负责。的环境中，请确保将电子部件完全晾干以后再使用。
- 确保每次操作前检查车辆的无线接收范围，以防止无线信号丢失或受干扰。
- 在您的能力范围内操作此产品。在任何时候，如果车辆操作有危险，则绝对不值得冒险。
- 通电方式:务必先开遥控器再将车子通电。断电方式:务必先将车子断电再关遥控器。以上顺序如逆转，则可能引起遥控模型失控，导致人身伤害或财产损失。
- 遥控器电池低电时，不要操作模型车，以免造成失控。
- 模型产品上的塑胶件容易因极冷或极热气候出现变形或损坏的状况。所以请将模型产品存放在气候受控的室温环境中，切勿靠近任何热源，如烤箱或加热器等。
- 切勿更改接收机天线的长度，以免影响无线电系统的接收范围。
- 仅使用厂家指定的电池。
- 请勿打开、拆卸或自行维修电池。
- 请勿挤压、刺穿或接触电池的金属端子。
- 请勿将电池置于高温环境或液体中。
- 请注意防止电池跌落、碰撞或振动。
- 请将电池存放在干燥阴凉的环境中。
- 如果电池损坏，请立即停止使用。

## 开机操作

1. 检查系统状态，确保：
  - 电池电量充足且安装正确。
2. 将开关拨到【ON】位置，R.LED灯常亮。
3. 连接接收机电源。
  - 为保障模型及人员安全，使用时请先打开发射机再给接收机上电



## 警告

- 此时系统已启动，请谨慎操作，否则可能导致产品损坏或人员伤亡。
- 为了您的安全请将发射机开关和油门打到安全位置。

## LED指示

1. R.LED: 红色电源指示灯;
2. G.LED: 绿色状态指示灯;
3. Car Battery: 电调电池电量显示双色灯
  - 电量高时, D3绿色常亮
  - 电量中时, D3橙色常亮
  - 电量低时, D3红色常亮
  - 电量无时, D3红色慢闪
  - 接收机掉码时, 双色灯全灭

## 对码

! 发射机和接收机在出厂前已对码成功。

如需更换其他发射机或接收机, 请按如下步骤进行对码:

1. 将发射机按住对码键开机进入对码状态, 此时G.LED快闪;
  - 进入对码状态后松开“BIND”键
2. 接收机上电等待1秒没有连接将自动进入对码;
3. 对码成功后,接收机及发射机指示灯常亮;

注: 对码时请先将发射机进入对码状态, 再将接收机进入对码状态。

## 摇杆校准

该功能可以用于方向手轮和油门扳机的中位角度修正。

发射机在出厂前已校准完成, 如需要重新校准, 请按照以下步骤进行:

1. 同步将手轮顺时针打到最大、扣机往前推到底并开机, 进入校准模式功能;
  - R.LED和G.LED二闪一灭
  - Car Battery双色灯黄色常亮
2. 手轮校准: 操作手轮顺时针和逆时针转到最大最小;
  - R.LED灭
  - Car Battery双色灯红色常亮
3. 扣机校准: 往前往后推到最大最小;
  - G.LED灭
  - Car Battery双色灯绿色常亮
4. 手轮扣机均校准通过
  - Car Battery 显示灯均灭
5. 校准完成后按“BIND”键退出并保存数据。



## 关机

1. 断开接收机电源。
2. 将开关拨到【OFF】位置，使发射机关闭。



### 警告

关闭时，请务必先关闭接收机电源，再关闭发射机，否则可能导致模型损坏、人员受伤。

## 通道说明

该发射机共输出4个通道，分配如下：

- CH1：方向手轮
- CH2：油门扣机
- CH3：三档开关
- CH4：按键开关

注：CH4按键开机默认输出1000us，按压操作一下通道值翻转一次，数值在1000us/2000us之间互相切换。

## 通道反向

该功能用于调整舵机或马达的动作方向。

旋钮ST.REV/TH.REV分别为CH1、CH2通道反向按键，开关上拨表示反向，下拨表示正常。

## 微调

ST.TRIM为CH1方向微调，可复用为CH3微调；

TH.TRIM为CH2油门微调，可复用为CH4微调；

调节范围：-120us--+120us；

ST.TRIM/TH.TRIM：逆时针调节，增大微调值，最大为120us；

ST.TRIM/TH.TRIM：顺时针调节，减少微调值，最小为-120us。

## 舵量调节

ST.D/R 为CH1方向舵量调节，可复用为CH3舵量调节；

TH.D/R 为CH2油门舵量调节，可复用为CH4舵量调节；

调节范围：0-120%；

ST.D/R：逆时针调节，增加舵量，最大为120%

ST.D/R：顺时针调节，减小舵量最小为0%。

TH.D/R：逆时针调节，增加舵量，最大为120%

TH.D/R：顺时针调节，减小舵量最小为0%。

## 模式切换

此功能用于将ST.TRIM及ST.D/R旋钮复用于CH3、CH4通道

功能设置：

正常开机状态下快速短按两下对码按键（BIND）（1S内）即可循环切换模式一、二，开机默认为模式一。

模式一：R.LED常亮，G.LED不亮，ST.TRIM为CH1微调，ST.D/R为CH1舵量调节；TH.TRIM为CH2油门微调，TH.D/R为CH2油门舵量调节；

模式二：R.LED和G.LED交替闪烁，ST.TRIM为CH3微调，ST.D/R为CH3舵量调节；TH.TRIM为CH4微调，TH.D/R为CH4舵量调节。

## 失控保护

此功能用于当接收机无法正常收到发射机的信号时，对应通道舵机移动至预先设定的位置，保护模型和操作人员的安全。

功能设置：

发射机开机正常通讯状态下，将需要设置的通道保持在需要设定的失控保护值位置保持不动，同时长按对码键(BIND) 3S，G.LED闪烁2S表示设置成功，即接收机无法接收信号后，将按照设定的失控值输出。

注：失控保护出厂默认无任何设置，无设置时失控接收机无有效信号输出。

## 初学者模式

初学者模式比较适合入门级玩家，通过对油门幅度的控制来提高操作的安全性。

初学者模式模式油门输出仅为50%，即 CH2通道范围默认为1250~1500~1750us。

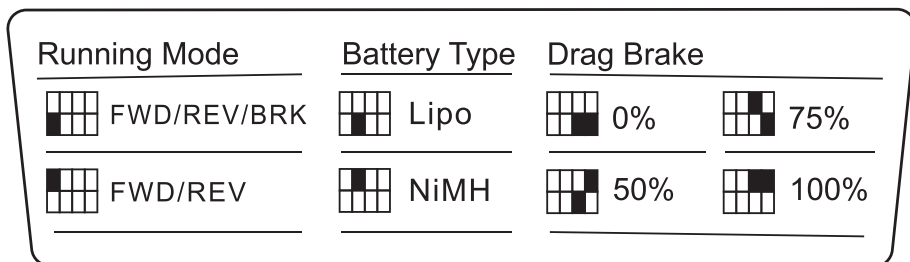
功能设置：

1. 按住CH4按键，同时方向手轮逆时针打到底
2. 维持以上动作同时开机

以上步骤可用于切换初学者模式和正常模式。

注：出厂默认为正常模式，开机时G.LED灯二闪一灭持续3S，代表此次进入初学者模式。

## 电调参数设置



拨码开关标识

发射机上的拨码开关用于设置电调参数，即拨码开关位于不同位置对应参数值不同。

设置方法：

该电调有三个参数项可以设置，分别是“运行模式 (Running Mode)”、“电池类型(Battery Type)”、“拖刹力度(Drag Brake)”。遥控器面板上有一列编号为1 2 3 4的拨码开关，通过上下拨动可以实现对上述参数项的设置，具体操作如下：

当遥控器面板上编号为1的拨码开关位于下侧时，表示运行模式设置为前进后退带刹车（FWD/REV/BRK）。

当遥控器面板上编号为1的拨码开关位于上侧时，表示运行模式设置为直接正反转（FWD/REV）。

当遥控器面板上编号为2的拨码开关位于下侧时，表示电池类型设置为锂电池(Lipo)。

当遥控器面板上编号为2的拨码开关位于上侧时，表示电池类型设置为镍氢(NiMH)。

当遥控器面板上编号为3的拨码开关位于下侧，编号为4的拨码开关也位于下侧时，表示拖刹力度设置为0%。

当遥控器面板上编号为3的拨码开关位于下侧，编号为4的拨码开关位于上侧时，表示拖刹力度设置为50%。

当遥控器面板上编号为3的拨码开关位于上侧，编号为4的拨码开关位于下侧时，表示拖刹力度设置为75%。

当遥控器面板上编号为3的拨码开关位于上侧，编号为4的拨码开关也位于上侧时，表示拖刹力度设置为100%。

参数解释：

### 1. 运行模式 (Running Mode)

前进后退带刹车 (FWD/REV/BRK)：此模式采用的是“双击式倒车”，即油门扳机在第一次从中点区域推至反向区域时，电机只是刹车，不会产生倒车动作；当油门扳机回到中点区域并第二次推至反向区域时，则产生倒车动作。此模式适用于一般车型。

直接正反转 (FWD/REV)：此模式采用“单击式”倒车方式，即油门扳机从中点区域推至反向区域时，电机立即产生倒车动作，该模式一般用于攀爬车等特种车辆。

设置该参数的方法：

当遥控器面板上编号为1的拨码开关位于下侧时，表示运行模式设置为前进后退带刹车（FWD/REV/BRK）。

当遥控器面板上编号为1的拨码开关位于上侧时，表示运行模式设置为直接正反转（FWD/REV）。

### 2. 电池类型 (Battery Type)

有锂电和镍氢两种选择，根据实际使用情况设置即可。

设置该参数的方法：

当遥控器面板上编号为2的拨码开关位于下侧时，表示电池类型设置为锂电池。

当遥控器面板上编号为2的拨码开关位于上侧时，表示电池类型设置为镍氢。

### 3. 拖刹力度 (Drag Brake)

拖刹是指当油门扳机从正向区域或反向区域转入中点区域内时，对电机产生一定的制动力，这样做可以模拟有刷电机的碳刷对电机转子的阻力，适合减速入弯及攀爬车应用。

设置该参数的方法：

当遥控器面板上编号为3的拨码开关位于下侧，编号为4的拨码开关也位于下侧时，表示拖刹力度设置为0%。

当遥控器面板上编号为3的拨码开关位于下侧，编号为4的拨码开关位于上侧时，表示拖刹力度设置为50%。

当遥控器面板上编号为3的拨码开关位于上侧，编号为4的拨码开关位于下侧时，表示拖刹力度设置为75%。

当遥控器面板上编号为3的拨码开关位于上侧，编号为4的拨码开关也位于上侧时，表示拖刹力度设置为100%。

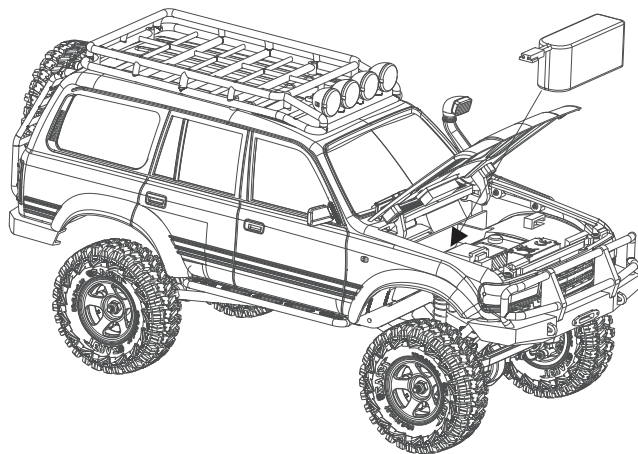
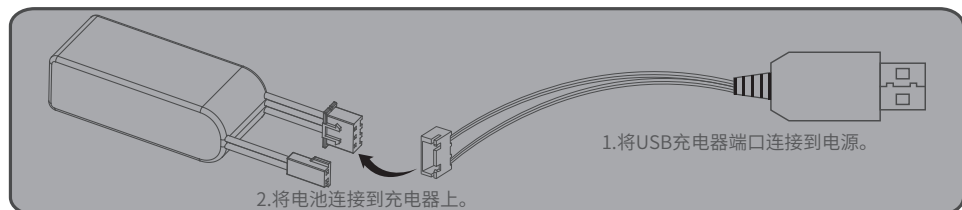
## 齿轮齿盒设置

齿轮啮合是模型车内小齿轮和直齿轮之间的间隙配合。如果更换电机或齿轮传动部件，请检查齿轮咬合是否过于紧密，如过于紧密，则可能导致过早出现磨损。



## 电池充电

1. 将充电器连接到USB端口，然后将电池连接到充电器电源线上。
2. 充电时，LED灯状态为红色，充电完成时，LED灯状态为绿色。
3. 请勿在无人看管的情况下充电！
4. 如果发现电池或充电器温度过热，请立即断开电池和充电器，因为这可能是由内部短路引起的。



### 警告

1. 长期不使用时,应拔出并取出电池,以防电池漏液。
2. 请勿打开、拆卸或维修电池。

## 配件表

C2049 1:18 050电机+电机齿  
 C2021 1:18 1kg舵机  
 C2051 1:18 USB 2S LIPO 电池线  
 C2052 LIPO 电池 2S 380mAh  
 C2053 陆巡LC80 引擎盖银枪色  
 C2036 陆巡LC80 前/后灯杯组  
 C2037 陆巡LC80 引擎盖连接座  
 C2038 陆巡LC80 行李架  
 C2039 陆巡LC80 备胎架及梯子  
 C2040 陆巡LC80 射灯  
 C2041 陆巡LC80 雨刮器及后视镜

C2042 陆巡LC80 防撞  
 C2043 陆巡LC80 灯镜片  
 C2054 陆巡LC80 车壳银枪色  
 C2045 陆巡LC80 轮胎  
 C2046 陆巡LC80 车轮  
 C2056 陆巡LC80 金属齿轮  
 C2057 陆巡LC80 齿轮  
 C2058 1:18 传动轴  
 C2059 陆巡LC80 螺丝包  
 C2060 螺母 M2 & M2.5  
 C2061 车窗

## 導入

詳細については、信頼性の詳細ミニミニスケーラーを探しですか？

トヨタLC 80ランドクルーザーの紹介。

期間正しいライトと機能インジケータから車のボディに通気口には、ランドクルーザースタティックモデル標準に設計されました。内部さえ、1:18のスケールで苦勞して再現されます。

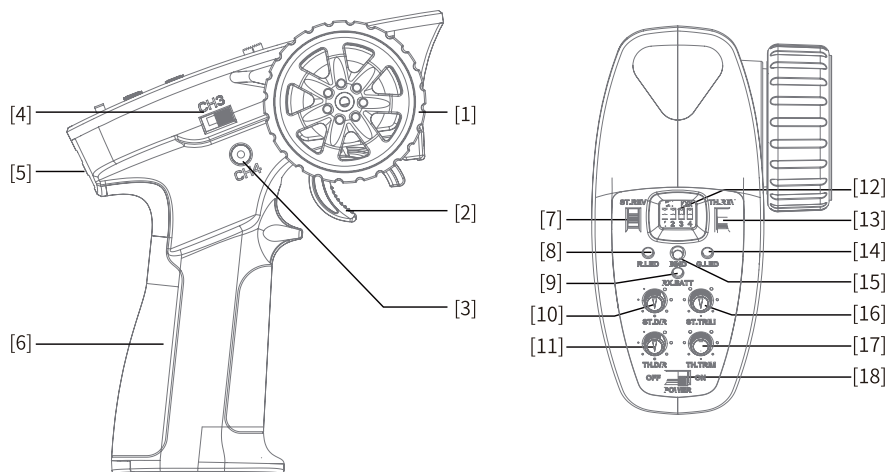
機能満載のトレイル証明シャシーは、ランドクルーザーをドライブします。Panhard Barシャシー設計によるマルチリンク幾何学が最大の車軸関節を考慮に入れる間、アルミニウム・レールは堅いプラットフォームを提供します。

パワーは、超高トルクギアボックスから超小型のDrivehaftsを通して超Grippy Beadlockタイヤに届けられます。

耐水性の2S7.4Vの電子機器は、独立したサーボ、2高パワー重量比とすべての気象操作を可能にする。

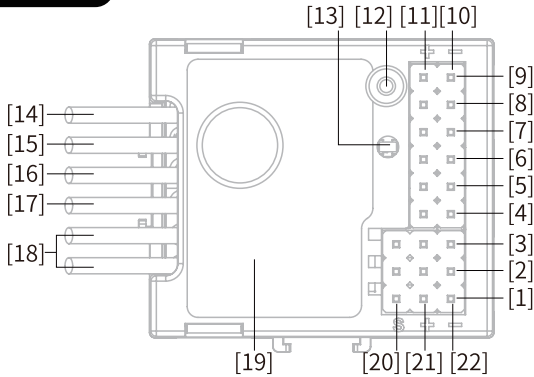
あなたは最高の探して、最高の市場で1:18スケーラーを実行する場合は、さらにランドクルーザーLC 80よりも見て！

## 送信機概要



[1] 手すりを横切って35度ずつ (CH 1)	[10] 方向舵量調整つまみ (ST.D/R)
[2] スロットルボタン、後部の25度と後部 (CH 2) の12.5度	[11] アクセル・舵量調整つまみ (TH.D/R)
[3] プッシュボタンスイッチ (CH 4) [プッシュボタン機能]フリップタイプ	[12] 電気調整モードに切り替える
[4] 3ポジショントグルスイッチ (CH 3)	[13] アクセル逆転スイッチ ( ) TH.REV
[5] ランヤードホール	[14] ステータスランプ緑色LED (G.LED)
[6] バッテリー・コンパートメント	[15] コードキー (BIND)
[7] 方向反転スイッチ (ST.REV)	[16] ハンドル (ST.TRIM)
[8] 電源ランプ赤LED (R.LED)	[17] スロットルボタン (TH.TRIM)
[9] 電池の電気を調整して二色ランプを表示します。(RX.BATT)	[18] 電源スイッチ

## 受信機概要



[1]	CH1	[12]	アンテナ
[2]	CH3	[13]	LED
[3]	CH4	[14]	バッテリーライン “-”
[4]	レフトライトポート	[15]	バッテリーライン “+”
[5]	ライトポート	[16]	モーターライン “M-”
[6]	ヘッドライトポート	[17]	モーターライン “M+”
[7]	テイルライトポート	[18]	パワースイッチライン
[8]	アンビエント光ポート	[19]	ステッカー
[9]	ルーフライトポート	[20]	チャンネルポート “S”
[10]	ライトポート “-”	[21]	チャンネルポート “+”
[11]	ライトポート “+”	[22]	チャンネルポート “-”

## 送信機バッテリー

### バッテリータイプ

### バッテリーインストール:

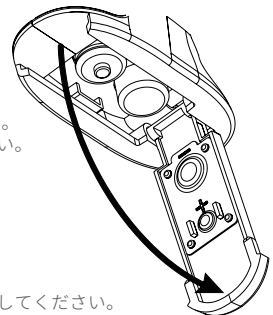
①バッテリーコンパートメント・カバーを開けてください。

②2つの完全に充電されたAAAバッテリーをコンパートメントに挿入してください。バッテリーがコンパートメントの接触と良い接触をすることを確認してください。

③バッテリーコンパートメントカバーを交換してください。

低いバッテリー警報: バッテリーが4.2Vより低いとき、パネルのG、LEDはゆっくりと光ります。

注: バッテリーをインストールするときは、正極と負極を処理するために注意してください。(右の写真に示すように)



## 警告

- この車両は、適切な大人の監督なしで14歳未満のそれらのためのものではありません。それはおもちゃではありません！安全な方法でこの車両を 작동させたり維持したりすることは、身体的な危害を招く可能性がある。
- 破損したコンポーネントを元のファクトリパーツに置き換えます。すべての車両の配線の極性に特別な注意を払う。
- 承認された2セルのリチウムポリマー電池だけを使用してください。Dingoとしてバッテリーを充電するか、DISを充電しないでください。充電中にバッテリーが熱くなる場合は、直ちに充電を中止し、充電器からバッテリーを切り離す。充電中にバッテリーを放置しないでください。あなたがこのバッテリーを充電する方法がわからないならば、経験豊かなRCユーザーのアドバイスを求めてください。決して子供たちに大人の監督なしでバッテリーを充電させてください。
- モーターは使用中に熱くなる。車両のために実行の間に10 - 15分を許してください。そうすることはあなたの車の寿命を延長するでしょう。
- あなたの車を操作する環境を選択するときに常識を使用してください。電源ケーブル、セル/ラジオ塔、深海または不安定な地形の近くで 작동しないでください。オペレーターは単独でその責任を負う。
- 製品は、精密な電気コンポーネントから成ります。製品を湿気と他の汚染物質から遠ざけるのは、重要です。湿った環境にさらされるならば、電子工学が再び彼らを利用する前に完全に乾くことを確認してください。
- 常に無線の損失や干渉を防ぐために、操作の前に車両の無線範囲をチェックしてください。
- あなたの能力の範囲内でこの製品を動かしてください。車両が取得するのが危険であるならば、それは危険の価値がありません。
- モデルのバッテリーを接続する前に常に送信機を回してください。モデルをオフにすると、常に最初にバッテリーを切断し、モデルをオフにし、常に最初にバッテリーを切断し、送信機をオフにします。この順序を逆にすれば、モデルは制御不能になり、重大な損傷を引き起こす可能性がある。
- それが車両制御の損失を引き起こすかもしれないので、送信機バッテリーを低く走らせないこと。
- 自動車のプラスチックは、極端な熱と寒さのために損傷または変形を受けやすいです。オープンやヒーターなどの熱源の近くにモデルを保管しないでください。モデルは屋内、気候制御、室温環境で保存します。
- 受信アンテナを短くすることこれは無線システムの送信範囲に影響する。
- 指定されたバッテリー（X4単電池）だけを使ってください。
- 開いて、分解しないでください、あるいは、バッテリーを修理しようとしてください。
- しないでください/パンクバッテリー、または外部連絡先を短くしないでください。
- 過度の熱または液体にさらさないでください。
- バッテリーを落とさないか、強いショックまたは振動に露出しないでください。
- 常に、乾いた場所でバッテリーを保存してください。
- 破損した場合は電池を使用しないでください。

## パワーオン

次の手順に従って送信機をオンにします。

1. そのバッテリーが完全に充電されて、正しくインストールされることを確認するためにチェックしてください。
2. スイッチを[ON]の位置に切り替えます。活発なとき、R-LEDは点灯します。
3. 受信機を電源に接続します。
  - 安全のために、常に受信機の前に送信機で電源を入れてください。

 ノート

- 損傷または怪我を避けるために、注意して 작동してください。
- スロットルがその最も低い位置にあることを確認してください、そして、スイッチは彼らのUP位置にセットされます。

## LEDインジケータ

1. R.LED: 赤いパワー指標;
2. G.LED: 緑色のステータスインジケータ;
3. 自動車のバッテリー: バッテリー・ポリウム表示のための2色光 (以下d3と呼ばれる)
  - パワーが高いとき、D3グリーンは続けます
  - 電源がメディアであるとき、D3黄色は続けます
  - パワーが低いとき、D3赤は続けます
  - パワーがオフになっているとき、D3の赤色の遅いフラッシュ
  - 受信機がコードを落とすとき、牽引色光はオフです

## 結合

送信機と受信機は既に工場ではばれている。

しかしながら、受信機が交換される必要があるか、または追加の受信機がこれらの手順に従うならば

1. バインドボタンを押しながら送信モードを入力します。LEDはすぐに点滅を開始します。
  - バインドモードでいったんバインドボタンを離します。
2. 受信機が電源を投入し、1秒間待つ、接続せずに自動的に一致するコードを入力します
3. 一旦結合が成功するならば、レーザーのLEDは続けます。

注意:結合時に送信機をバインドモードにし、受信機を受信します。

## 棒校正

この関数はスロットルとホイールの中立位置を設定します。

すべての送信機は、工場を離れる前に校正されますが、再校正が必要な場合は、次の手順に従ってください:

1. ターンして、それが回すように、時計回りに車輪を持ちます。そして、前方にスロットルを持ちます。そして、較正モードで送信機をオンにします。
  - R.LEDとG.LEDは二度フラッシュします。
  - 自動車のバッテリーD3黄色は続けます
2. キャリブレーションホイール: 完全に時計回りに、完全に反時計回りにホイールを回します。
  - キャリブレーションが完了すると、R.LEDはオフになります。
  - 自動車のバッテリーD3赤は続けます
3. トリガーのキャリブレーション: それは行く前に、前方にトリガをプルします。
  - キャリブレーションが完了するとG.LEDはオフになります。
  - 自動車バッテリーD3グリーンは続けます
4. 両方のホイールトリガーは
  - 二つの色の光は
5. キャリブレーションが完了すると、バインドキーを押して終了します。



## 電源オフ

システムをオフにするには、次の手順に従います:

1. 受信機の電源を切断します。
2. 送信機の電源スイッチをオフ位置に切り替えます。



### ノート

送信機をオフにする前に、受信機の電源を切断してください。そうすることができないことは、損害または重大な怪我につながるかもしれません。

## チャンネル説明

送信機は合計4チャンネルを出力する。

- CH1: ステアリングホイール
- CH2: スロットルトリガー
- CH3: 3ポジションスイッチ
- CH4: キースイッチ

注意:デフォルトでは、CH 4の出力は1000 USです。その後、ボタンを押すと1000と2000 USの間をトグルします。

## チャンネル

この機能は、サーボまたはモータの動作方向を調整するために使用される

ST.rev/th.revスイッチはch 1とch 2のリバースボタンである。スイッチが上がっているならば、それは逆を示します、そして、ダウンは正常を示します。

## トリム

ST.trimはCH 1 (ステアリング) 用のトリムであり、CH 3のトリムとして多重化することができる

th.trimはCH 2 (スロットル) 用のトリムで、CH 4のトリムとして多重化することができます

スイッチングモードを多重化するためには、[5.5モードスイッチング]を参照してください。

調整範囲: -120 US

ST.trim/th.trim: トリム値を増加させるために反時計回りの調整。

ST.trim-/th.trim-時計の調整によりトリム値を減少させる。

## D/R

ST.D/RはCH 1 (ステアリング) 用のトリムであり、CH 3のトリムとして多重化することができる

ST.D/RはCH 2 (スロットル) 用のトリムであり、CH 4のトリムとして多重化することができる

スイッチングモードを多重化するためには、[5.5モードスイッチング]を参照してください。

調整範囲: 0-120 %;

ST.D/R: SERVO量を増加させる反時計回り調整。

ST.D/R: SERVO量を減少させる時計回りの調整。

TH/R: サーボ量を増加させる反時計回りの調整。

TH/R: 時計回りの調整でサーボ量を減少させます。

## モード切り替え

この関数は、異なるチャンネルのST.trimとST

機能の設定

通常の電源投入時に、BINDボタンを2回 (1s以内) 押し、モード1とモード2を切り替えます。

デフォルトではmode 1が使われる。

モード1: R.LEDは常にオンです。LEDはオフです。ST.trimはCH 1トリム用です。ST.D/RはCH 1 SERVO調整用です。

Thは

スロットルトリム.TH/RはCH 2スロットルSERVO調整です。

モード2: R.LEDとG.LEDは交互に点滅している。ST.trimはCH 3トリム用です。ST 3/RはCH 3 SERVO調整です。

th.trimはCH 4トリム用です。TH/RはCH 4 SERVO調整です。

## フェイルセーフ

この関数は、送信機からの信号を失うイベントで受信機が何を指示するかを指示します。

セットアップ:

送信機が通常の通信状態でオンにされたとき、チャンネルの位置をフェイルセーフセットアップ、および3sのバインドボタンを押して保持します。G.LEDは2sのために点滅します成功。すなわち、受信機が信号を受信することができないとき、それはセットされたフェイルセーフ値を出力する。

注意:フェイルセーフ関数はファクトリで設定されていません。フェイルセーフ設定が設定されていない場合、信号が失われたときに受信機は何も出力しません。

## 初心者モード

初心者モードでは、趣味に新しい人々のために設計されています。

このモードでは、スロットルは50パーセントに制限されます、チャンネル範囲は1250~1500~1750 USまでデフォルトです。

セットアップ:

初心者と通常のモードを切り替えるには、送信機がオンになっているときにチャンネル4ボタンを押してください。

注意:デフォルトでは、システムは通常モードに設定されます。システムが初心者モードに設定されるならば、GLedは力の間、3秒間ゆっくりとフラッシュします。

## ESCパラメータ設定

### Running Mode



FWD/REV/BRK



FWD/REV

### Battery Type



Lipo



NiMH

### Drag Brake



0%



50%



75%



100%

ダイヤルスイッチ

送信機上のダイヤルスイッチは、ESCパラメータを設定するために使用され、すなわちダイヤルスイッチは異なる位置にあり、対応するパラメータ値は異なる。

設定方法:

つのパラメータは、“実行モード”、“バッテリーの種類”、“ドラッグブレーキ”であるESCに設定することができますが、スライドスイッチは、ラジオパネル上の1234番号があります。上記のパラメータは、ダイヤルアップすることによって設定することができます。

具体的な動作は以下の通りである。

No.1のスライドスイッチがダウンしている場合は、動作モードがFWD/REV/BRKに設定されていることを示す。

No.1のスライドスイッチが上にあるときは、動作モードがFWD/REVに設定されていることを示します。

No.2のスライドスイッチがダウンしているとき、バッテリータイプがLipoに設定されていることを示します。

No.2のスライドスイッチが上にあるとき、バッテリータイプがNiMHにセットされることを示します。

No.3とNo.4のスライドスイッチがダウンしているときは、ドラッグブレーキ力を0%としている。

No.3スライドスイッチがダウンしているとき、No.4スライドスイッチが上にあるとき、それはドラッグブレーキ力がセットされることを示します50%。

No.3スライドスイッチが上にあるとき、No.4のスライドスイッチがダウンしているとき、それはドラッグブレーキ力がセットされることを示します75%。

3番と4番のスライドスイッチが上にあるとき、それはドラッグ・ブレーキ力が100%にセットされることを示します

パラメータ説明:

### 1.ランニングモード

このモードは採用します「ダブルクリック」、逆モード、すなわち、スロットルトリガが最初の時間のために最初の範囲から逆の領域にプッシュされている場合、モータはブレーキのみであり、逆ではありませんスロットル・トリガーが近距離まで戻されて、2回目の逆の領域に押されるとき、それは逆になります。このモードは一般的なモデルに適用できる。

FWD / REV: このモードは、「ワンクリック」リバースモード、すなわちスロットルトリガが近距離から逆の領域までプッシュされたとき、すぐに逆のアクションを生成します。

パラメータ設定メソッド:

No. 1のスライドスイッチがダウンしている場合は、動作モードがFWD / REV / BRKに設定されていることを示す。

No. 1のスライドスイッチが上にあるときは、動作モードがFWD / REVに設定されていることを示します。

### 2.バッテリータイプ

lipoとnimh細胞がある。低圧保護値は異なるタイプで異なる。実際の使用に合わせて設定できます。

パラメータ設定メソッド:

No. 2のスライドスイッチがダウンしているとき、バッテリータイプがLIPOに設定されていることを示します。

No. 2のスライドスイッチが上にあるとき、バッテリータイプがNiMHにセットされることを示します。

### 3.ドラッグブレーキ

抗力ブレーキは、スロットル・トリガーが前方の領域または逆の領域から近距離範囲まで動くときに、それがモータに確かな制動力を生じるであろうということを意味する。適切な制動力を実際の状況に応じて選択します。

パラメータ設定メソッド:

No. 3とNo. 4のスライドスイッチがダウンしているときは、ドラッグブレーキ力を0%としている。

No. 3のスライドスイッチがダウンしているとき、No. 4のスライドスイッチが上にあるとき、それはドラッグブレーキ力が50%に設定されていることを示します。

No. 3のスライドスイッチが上にあるとき、No. 4のスライドスイッチがダウンしているとき、ドラッグブレーキ力が75%に設定されていることを示します。

No. 3とNo. 4のスライドスイッチが上にあるときは、ドラッグブレーキ力を100%に設定している。

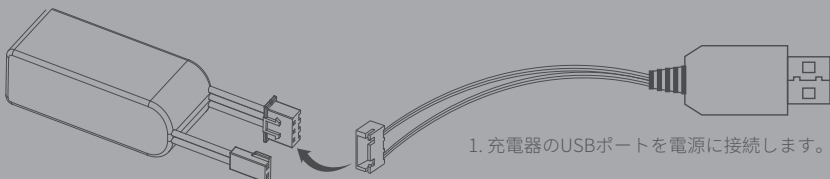
## ギアメッシュの設定

ギアメッシュは、あなたの車両モータや歯車の部品が交換された場合、これは早すぎる摩耗を引き起こす可能性がありますので、ギアはあまりにもしっかりとかみ合いません。



## バッテリーの充電

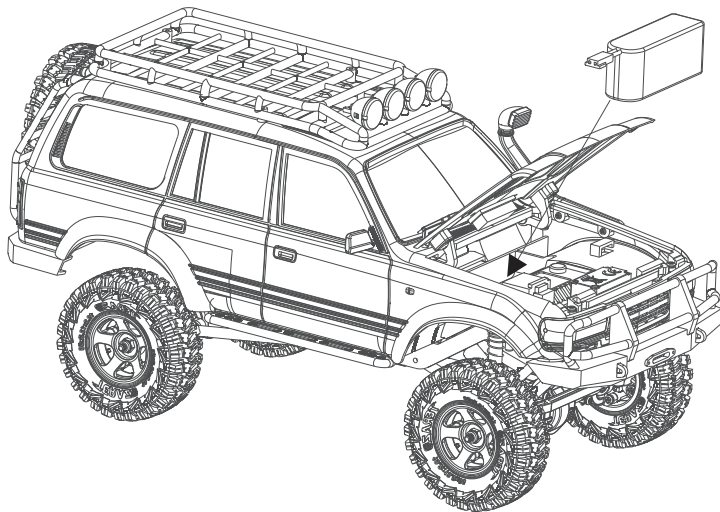
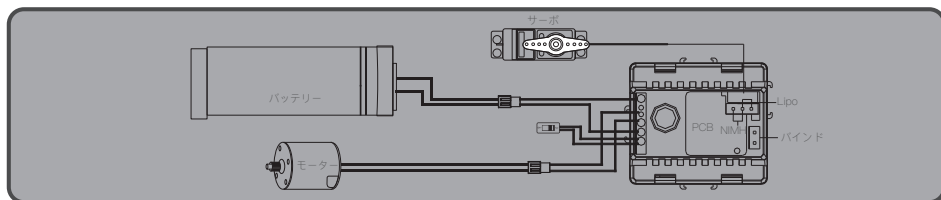
- 1.充電器にバッテリーを接続します。
- 2.充電するとき、充電されるとき、緑のLEDはフラッシュです、緑のLEDは安定しています。
- 3.バッテリーの充電を聞かせていない!
- 4.バッテリーまたはチャージャが熱いならば、これが内部の短絡に起因するかもしれないので、すぐにバッテリーとチャージャを切り離してください。



2. 充電器にバッテリーを接続します。

1. 充電器のUSBポートを電源に接続します。

- 不燃性、耐熱性の表面に常にLiPo電池を充電します。
- 充電中は常にリフセーフ袋や容器を使用してください。140以上の華氏（60度C）に達する細胞は、通常損害を受けて、火がつきます。
- それがモデルにまだある間、Lipoパックを請求しないでください。車両にバッテリーパックを決して充電しないか、格納しないでください。
- 唇を排出しないでください。そうすることはバッテリーを損傷するでしょう。
- いつでも水または湿気にLipoセルを露出しないでください。
- 開いた炎またはヒーターの近くでバッテリーを保存しないでください。
- 他のLiPo細胞またはパックと共にLiPo細胞または予め組み立てられたパックをアSEMBルしないでください。
- 常に子供から離れて安全な場所にLipoバッテリーを格納します。
- モデルがクラッシュのどんな種類にも関係するならば、常にLiPoバッテリーを取り外してください。
- 慎重に、最小の損害のためにバッテリーとコネクタを調べます。
- ご注意：使用の後、細胞は熱くなるかもしれません。
- 彼らが電解質と接触するならば、すぐに影響を受ける地域を洗ってください。
- 常に充電して動作する前にバッテリーの状態を検査します。
- Lipoバッテリーを短絡しないでください。
- 直接/漏れたバッテリーとの接触を持っていない。
- 推奨温度範囲（0°C 45°C）でバッテリーを充電しないでください。



- ノート**
1. 長時間使用しない場合は、栓抜きを防止するために電池を抜いて離す
  2. オープン、分解、またはバッテリーを修理しようとししないでください。

## 予備部品一覧

C2049	1/18 050モーターセット	C2042	バンパーとサイドパネル
C2021	1/18 1 kgサーボ	C2043	ランドクルーザー
C2051	1/18 USB 2 Sリコチャージケーブル	C2054	ランクル80ボディシェル
C2052	Lipoバッテリー2 S	C2045	Terazタイヤ19.2×13.5×56
C2053	ランドクルーザー	C2046	ランドクルーザーRC 80ホイールセット
C2036	前後のライトカップセット	C2056	ランドクルーザーランクル
C2037	ランドクルーザーRCマウントセット	C2057	ランドクルーザーRC 80セット
C2038	ランクルランクルラック	C2058	トランスミッションシャフト
C2039	ラダーとスペアタイヤブラケット	C2059	スクリューセット
C2040	ランクルカップセット	C2060	1/18 M 2 & M 2.5スクリューネット
C2041	ミラーとワイパー	C2061	ランドクルーザー

## CE 警告集

この送信機に使用されるアンテナは、すべての人から少なくとも20 cmの分離距離を提供するために設置されなければならない。他のどの送信機と共に共存していても動作してはならない。エンドユーザーとインストラーは、RF照射コンプライアンスを満足させるためのアンテナ設置命令および送信機動作条件を備えなければならない。

## 付録1 FCC声明

FCC ID: N4ZMG400

この装置は試験され、FCC規則の第15部に従ってB級デジタル装置の限界に従うことがわかった。これらの制限は、Aの有害な干渉に対する適切な保護を提供するように設計されています住宅設備この装置は、無線周波数エネルギーを生成し、使用し、無線周波数エネルギーを放射することができ、また、指示に従って使用されず、使用されなければ、無線通信に有害な干渉を引き起こす可能性がある。しかし、特定のインストールで干渉が発生しない保証はありません。本装置が無線機やテレビ放送受信に有害な干渉を与えた場合、機器をオフにしてオンにすることによって決定することができる場合、ユーザは、以下の措置のうちの1つ以上によって干渉を修正しようとするよう奨励される

- 受信アンテナを再配置または再配置する。
- つは、装置とレーザーの間の分離を増やします。
- 装置は、受信機が接続されているものとは異なる回路上のコンセントに接続する。
- ディーラーや経験豊富なラジオ/テレビの技術者に相談してください。

引き続きコンプライアンスを保証するために、コンプライアンスを担当する当事者が明示的に承認しない変更や変更は、この機器を操作するためのユーザの権限を無効にすることができます。

この装置はfcc規則の第15部に準拠している。操作は次の2つの条件に従います。

- (1) この装置は有害な干渉を起こさない。
- (2) このデバイスは、望ましくない動作を引き起こす可能性のある干渉を含む任意の干渉を受け入れなければならない。

### 注意!

メーカーは、この装置への無許可の変更起因するどんなラジオまたはテレビ干渉の責任もありません。このような変更によって、ユーザ権限が装置を操作することができなくなる。

1.この送信機に使用されるアンテナは、少なくとも20 cmの分離距離を提供するために設置されなければならないエンドユーザーとインストラーは、RF照射コンプライアンスを満たすためのアンテナ設置命令および送信機の動作条件を備えなければならない。

2.すべてのチャンネルを目的の位置に移動します。

3.をクリックし、[確認]ボックスで[はい]をクリックします。

## 適合宣言書

Certification NO.: 25584-MG400  
NO.DE Certification

Issued To: ShenZhen FLYSKY Technology Co.,Ltd  
Délivré A: 16F,Huafeng Building, No.6006 ShenZhen Road, Futian District,  
ShenZhen,Guangdong,China

Hardware Version Identification Number(HVIN): FS-MG41,MG4,FS-FMS-MG41,FS-FMS-MG42

Product Marketing Name(PMN): 4 Channel Transmitter

Firmware Verison Identification Number(FVIN): FS-MG41 V1.0.15

Frequency Range (MHz)	RF power (Watts)	Measured Bandwidth (kHz)	Emission Designator
2406-2472	0.042	4614	4M61F1D

Reference NO./NO. De Référence: P21SZ10068

CERTIFICATE OF COMPLIANVE  
R210-167765 / 10 Sep 2021 / Rev A  
for Radio Equipment in JAPAN

Product name:  
2.4GHz 4 CHANNEL RECEIVER

## Emission Information

Techonlogy	Frequency Range		Emission Designator	RF Power		Field Stre ngth		Antenna Power
	From	To		Max.	Type	dBuV/m @Dist.		
SRD	2406MHz	2472MHz	68M2F1D	--	--	--	--	0.1mW/MHz

## Antennas

Antenna Type	Manufacturer	Model/Part No.	Gain(dBi)	Frequency Range (MHz)
In fegr al Antenna	FLYSJYRC MODEL TECHNOLOGY CO.,LTD		-1.11	2400-2500



**R**

**210-167765**



